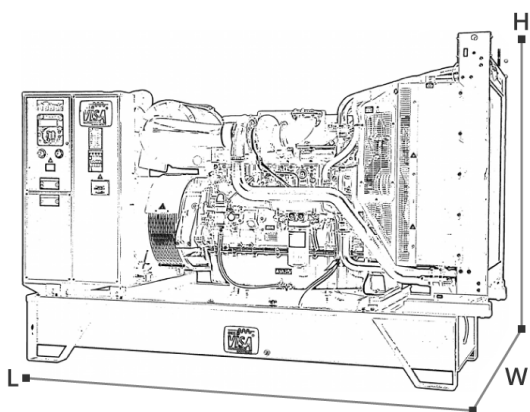


# POWERFULL - JD 151 B



For illustrative purposes only

## Strong points

- 1- Industrial diesel engine in genset version with certificate of origin
  - 2- Industrial brushless alternator with AVR
  - 3- Large capacity steel baseframe-fuel tank with level sensor
  - 4- Industrial silencer and coupling flange
  - 5- Electrical panel mounted on board the unit with digital control device installed in metal box
  - 6- Compact for easy handling and use
  - 7- Test report, manuals and electrical drawings supplied
  - 8- World wide after sales service and technical support
- Further details on the technical data sheet**

Performance	
<b>Continuous power (PRP)</b>	<b>181.3 (kVA)</b>
<b>Continuous power (PRP)</b>	<b>145.0 (kW)</b>
<b>Stand-by power (LTP)</b>	<b>192.5 (kVA)</b>
<b>Stand-by power (LTP)</b>	<b>154.0 (kW)</b>
<b>Power factor</b>	<b>0.8</b>

Voltage	
Frequency (Hz)	60 Hz
Voltage (V)	208 V

Dimensions and noise level	
Width	1116 mm
Length	2380 mm
Height	1782 mm
Weight	1650 kg
Sound pressure 7 m.	0.0 dBA

**Data references**

Standard reference conditions temperature 25°C, altitude 100m asl, relative humidity 30%, atmospheric pressure 100 kPa (1 bar), power factor 0.8 lag, balanced load - non distortional. Fuel consumption is nominal and refers to specific weight 0,850kg/l. Sound power values refer to free field conditions: the installation site may influence the values. Dimensions, weights and other specifications contained in the technical data sheet and related attachments are nominal, subject to tolerances and refer to the model with standard equipment; any optional and additional equipment/accessories can modify weight, dimensions, performance.

**P.R.P. Prime Power-Continuous power at variable load:** The power that a genset can supply in continuous service at a variable load for an unlimited number of hours per year while respecting the maintenance intervals established in the environmental conditions stated by the Manufacturer. according to ISO8528-1. The average power supplied over time and any applicable overload must be less than the percentages stated by the Manufacturer.

**L.T.P. Limited-time running power-Limited power:** The maximum power that a genset can supply for a limited time respecting the maintenance intervals established in the environmental conditions stated by the Manufacturer according to ISO 8528-1. The number of hours per year is stated by the Manufacturer. Overload is not permitted.

Engine	
Engine brand	JOHN DEERE
Engine model	6068HF258
Cylinders	6
Speed	1800 r.p.m.
Cubic capacity	6.80 l
Air intake	Turbocharged
Standard voltage	12 Vdc
Optional voltage	24 Vdc
Sae	3-11½
BMEP	1876 kPa
Cooling	Water

Engine power	
Flywheel P.R.P. Power	189.4 kW
Flywheel Stand-by Power	210.4 kW

Fuel consumption	
Fuel Cons. at 100% (L.T.P.)	51.9 l/h
Fuel Cons. at 100% (P.R.P.)	47.2 l/h
Fuel Cons. at 75% (P.R.P.)	36.1 l/h
Fuel Cons. at 50% (P.R.P.)	23.5 l/h
Fuel Cons. at 25% (P.R.P.)	12.6 l/h

Speed regulation	
Electronic regulator	On request
Precision class	A

Engine dimensions and liquids	
Oil quantity	32.0 l
Engine Antifreeze capacity	27.0 l
Radiator standard	IM50

The data contained in this document is nominal and refers to the standard equipped model and is not binding. Visa S.p.A. reserves the right to revise the information without notice per our policy of continuous product development and improvement.



# POWERFULL - JD 151 B

## Heat from engine

Heat from radiator	0.0 kW
Heat from exhaust	0.0 kW
Heat from radiation	0.0 kW

## Exhaust data

Exhaust temperature	551 °C
Cooling air flow	186.00 m <sup>3</sup> /min
Combustion air flow	13.90 m <sup>3</sup> /min
Exhaust gas flow	30.30 m <sup>3</sup> /min

## Emissions

TA Luft	Standard
TA Luft/2	Not available
EPA	Not available
Stage	Not available

## Alternator

Alternator brand	STAMFORD
Alternator model	UCI274F
P.R.P. Power	181.3 kVA
L.T.P. Power	192.5 kVA

## Alternator wirings

Connection	Parallel star
Phases	Trifase + Neutro
Winding	12 terminals Winding 311
Terminal Number	12 nr.

## Alternator protection

IP Protection	23
---------------	----

## Voltage regulator

Electronic regulator	SX460
Precision	1.5 ± %

## Baseframe

Model	T2
Standard tank	520 l
Optional tank	0 l
Oversized tank*	l

## Canopy & Silencer

Canopy model	SENZA COFANO
Silencer model	MS 20
Silencer outlet diameter	89.0 mm

## Available control panels



The **GUARD EVOLUTION** device, in MANUAL or AUTOMATIC version, is designed and manufactured by Visa S.p.A. for the command, control and protection of the generating set. Main characteristics are: clear communication via a large backlit display screen; generating set event analysis through sophisticated algorithms; complete engine and electrical parameters; possibility of integrating additional modules and programme extensions; customisation for dealers (optional).

## Optional control panels



**Guard Touch** MANUAL OR AUTOMATIC is the new revolutionary controller with touch screen, researched and developed by Visa S.p.A., which will be standard supply on our gensets. From a technical and operational viewpoint, the new device is different from its predecessors, but still maintains Visa's main characteristic: MODULARITY! Guard Touch is a versatile controller able to satisfy the myriad of requests from the end-user, from manual function to totally automatic management.

## Options

Each genset model has a wide range of accessories and customised equipment choices; standard equipment and optional accessories are described in the technical data sheet. Contact our sales office for further information and details.

