

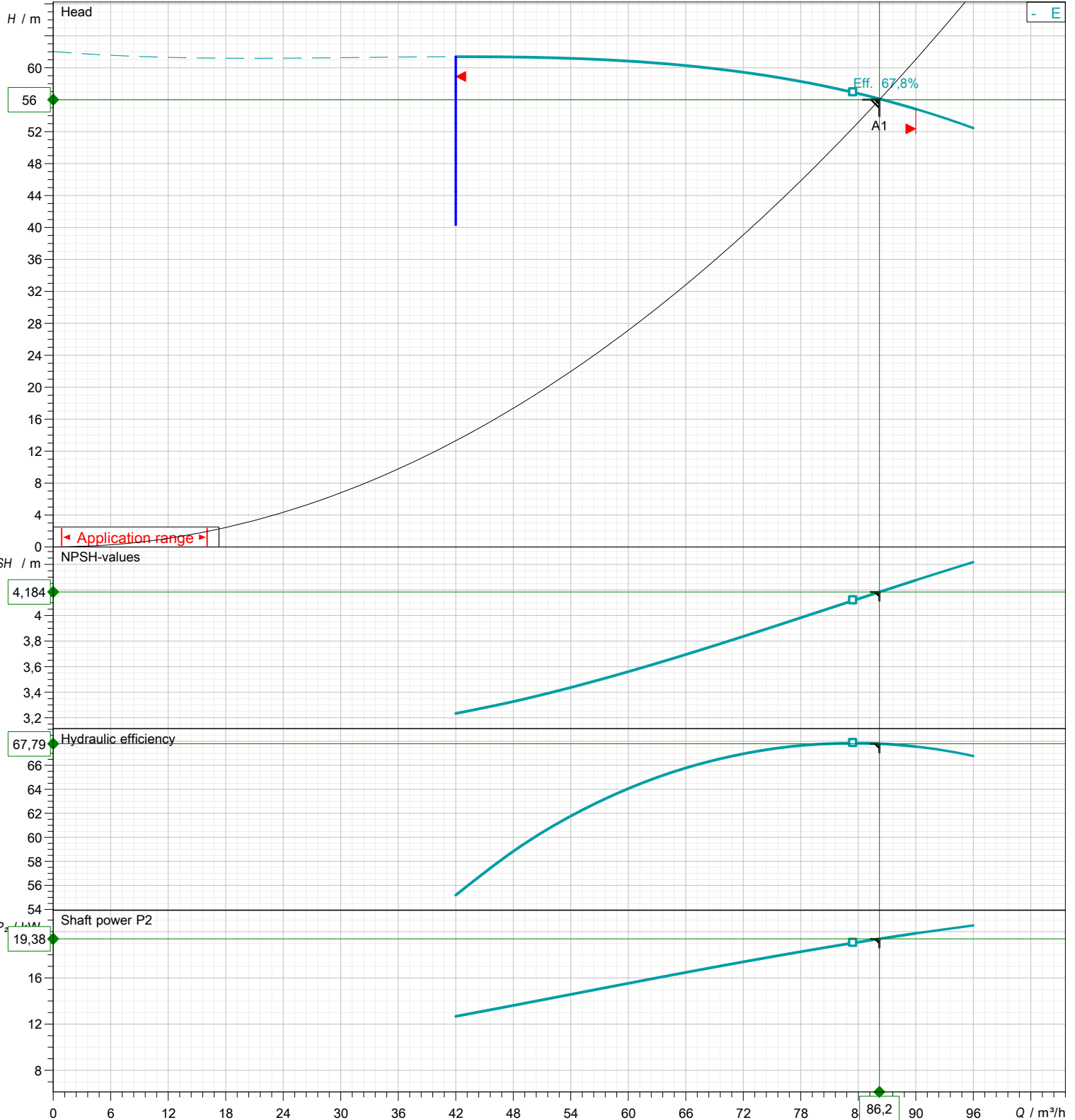


## Performance curves

### F43P80AME

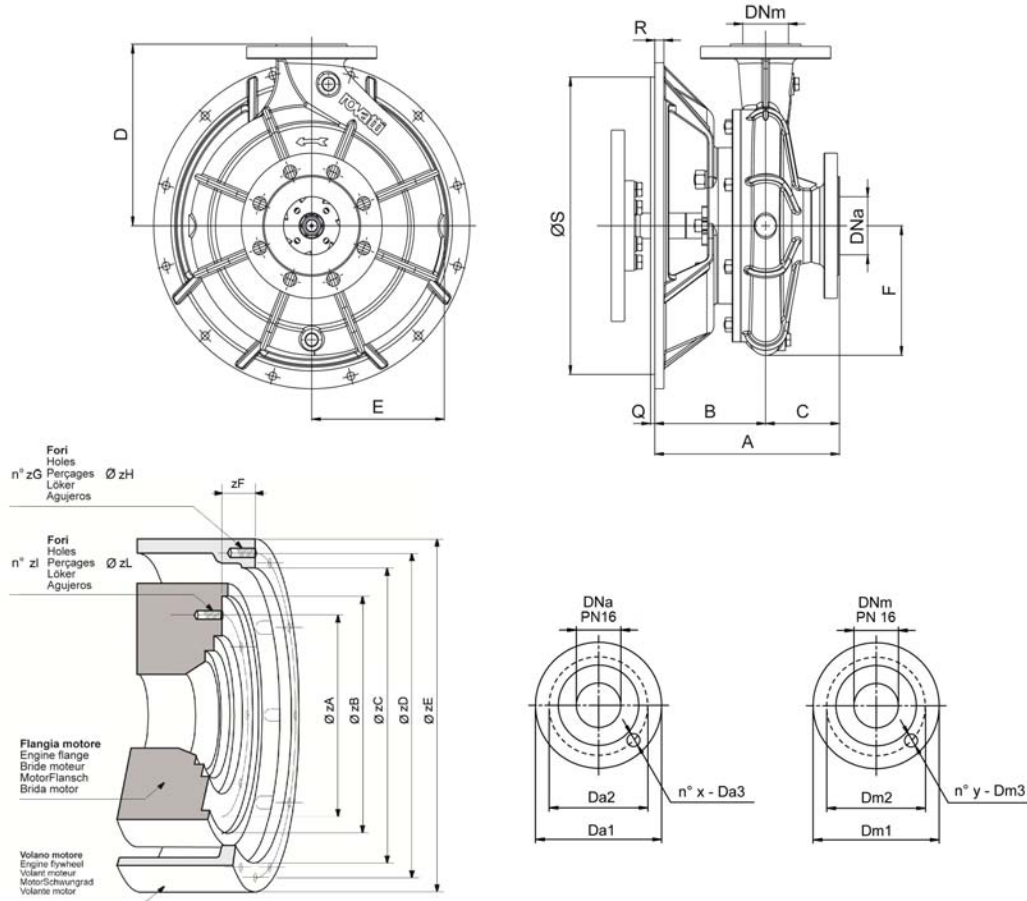
#### Performances

Speed		2300 1/min	Density	998 kg/m <sup>3</sup>
Flow	Min.	42 m <sup>3</sup> /h	Viscosity	1 mm <sup>2</sup> /s
	Max.	90 m <sup>3</sup> /h	Temperature	20 °C
Efficiency	Max.	83,5 m <sup>3</sup> /h	Tolerances	ISO 9906 Grade 3B



## Types of installation

### F43P80AME



Dimensions in		mm	Total weight		61 kg
DNa	80	zD	381		
DNm	65	zE	403		
Da1	200	zF	30,16		
Da2	160	zG	12		
Da3	19	zH	M10		
x	8	zI	8		
Dm1	185	zL	M8		
Dm2	145				
Dm3	19				
y	4				
B	178				
C	105				
D	250				
E	195				
F	179				
Q	6				
R	14				
S	361,9				
zA	222,2				
zB	241,3				
zC	361,9				