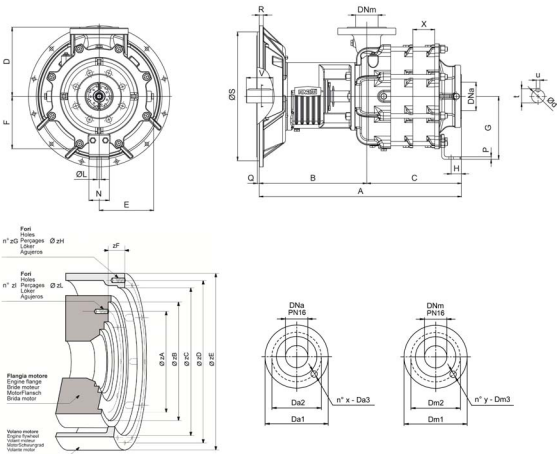
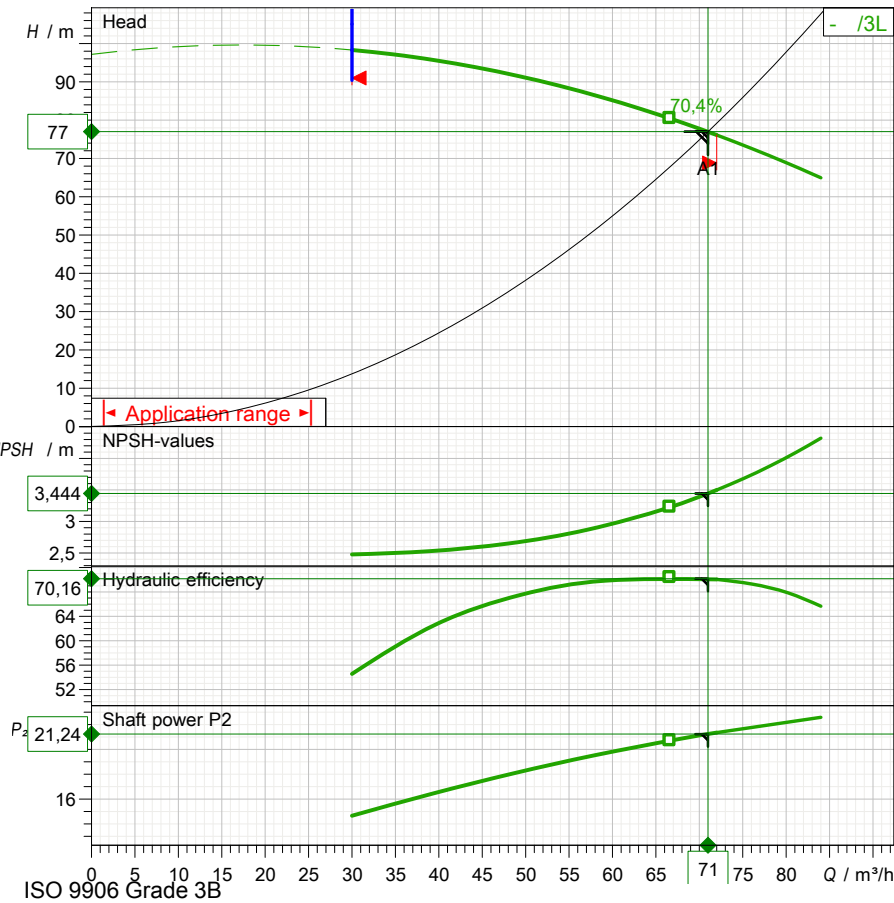


Technical data

F43K80/3L



Dimensions in mm				Total weight				113 kg	
DNa	80	Dm3	19	G	160	X	80	zD	381
DNm	65	y	4	H	33	d	42	zE	403
Da1	200	A	657	L	14	t	45	zF	30,16
Da2	160	B	381	N	80	u	12	zG	12
Da3	19	C	276	P	5	V	84	zH	M10
x	8	D	260	Q	6	zA	222,2	zI	8
Dm1	185	E	190	R	14	zB	241,3	zL	M8
Dm2	145	F	181	S	361,9	zC	361,9		

Operating data specification

Capacity	71 m ³ /h
Head	77 m
Fluid	Clean water
Type of installation	<Single head pump>

Pump operating data

Design	F43K80/3L
Impeller Ø	
Speed	2300 1/min
Flow	71 m ³ /h
Head	77 m
Shaft power P2	21,2 kW
Efficiency	70,2 %
Head (Q=0)	97,2 m
Non return valve loss	

Motor coupling

Flange	SAE 4
Flywheel	7 1/2"

Use limits

Max N° startings/hour	
Max. runing time with Q=0	2 min
Max. solids contents	40 g/m ³
Max. pumped liquid temperature	90 °C
Maximum density	998 kg/m ³
Maximum viscosity	1 mm ² /s

Materials

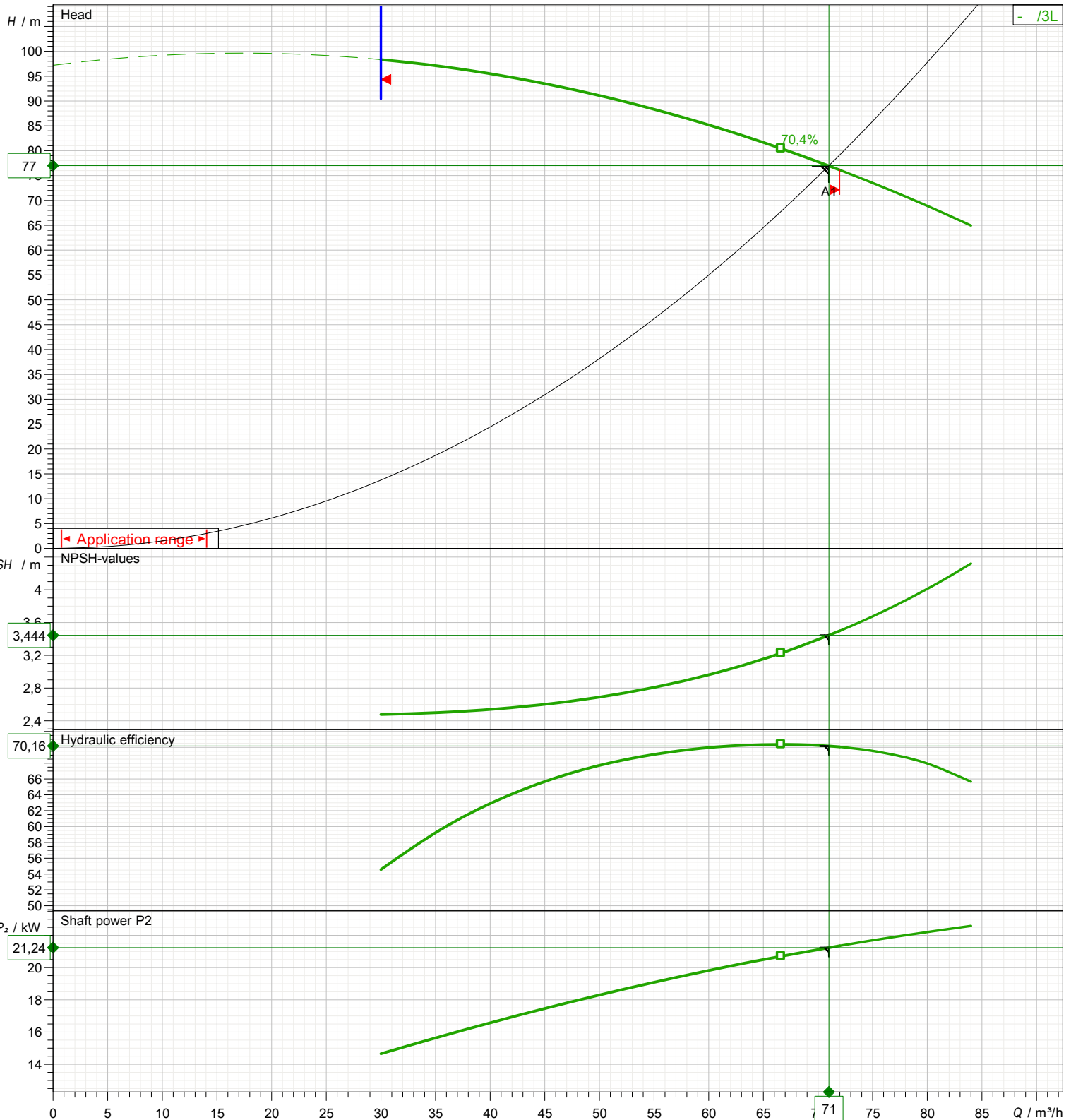
Bearing support	Cast iron
Shaft	Steel
Stuffing-box flange	Brass
Stuffing-box packing	Synthetic fibers
Shaft protection bushing	Chrome steel
Impeller	Cast iron
Pump body	Cast iron
Diffuser shell	Cast iron
Diffuser	Cast iron
Wear ring	Cast iron
Tie rod	Steel
Suction bowl	Cast iron
Flange	Spheroidal cast iron

Performance curves

F43K80/3L

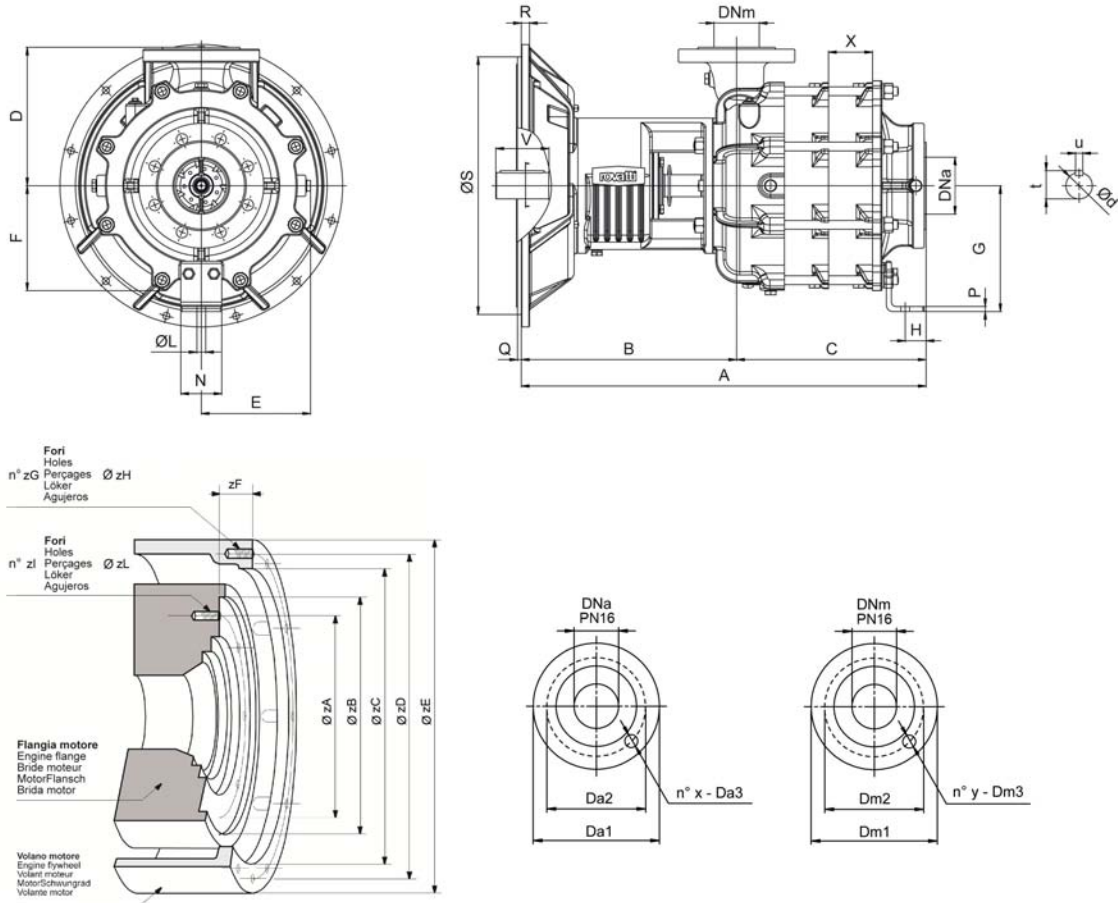
Performances

Speed		2300 1/min	Density	998 kg/m ³
Flow	Min.	30 m ³ /h	Viscosity	1 mm ² /s
	Max.	72 m ³ /h	Temperature	20 °C
Efficiency	Max.	66,6 m ³ /h	Tolerances	ISO 9906 Grade 3B



Types of installation

F43K80/3L



Dimensions in	mm	Total weight	113 kg
DNa	80	Q	6
DNm	65	R	14
Da1	200	S	361,9
Da2	160	X	80
Da3	19	d	42
x	8	t	45
Dm1	185	u	12
Dm2	145	V	84
Dm3	19	zA	222,2
y	4	zB	241,3
A	657	zC	361,9
B	381	zD	381
C	276	zE	403
D	260	zF	30,16
E	190	zG	12
F	181	zH	M10
G	160	zI	8
H	33	zL	M8
L	14		
N	80		
P	5		