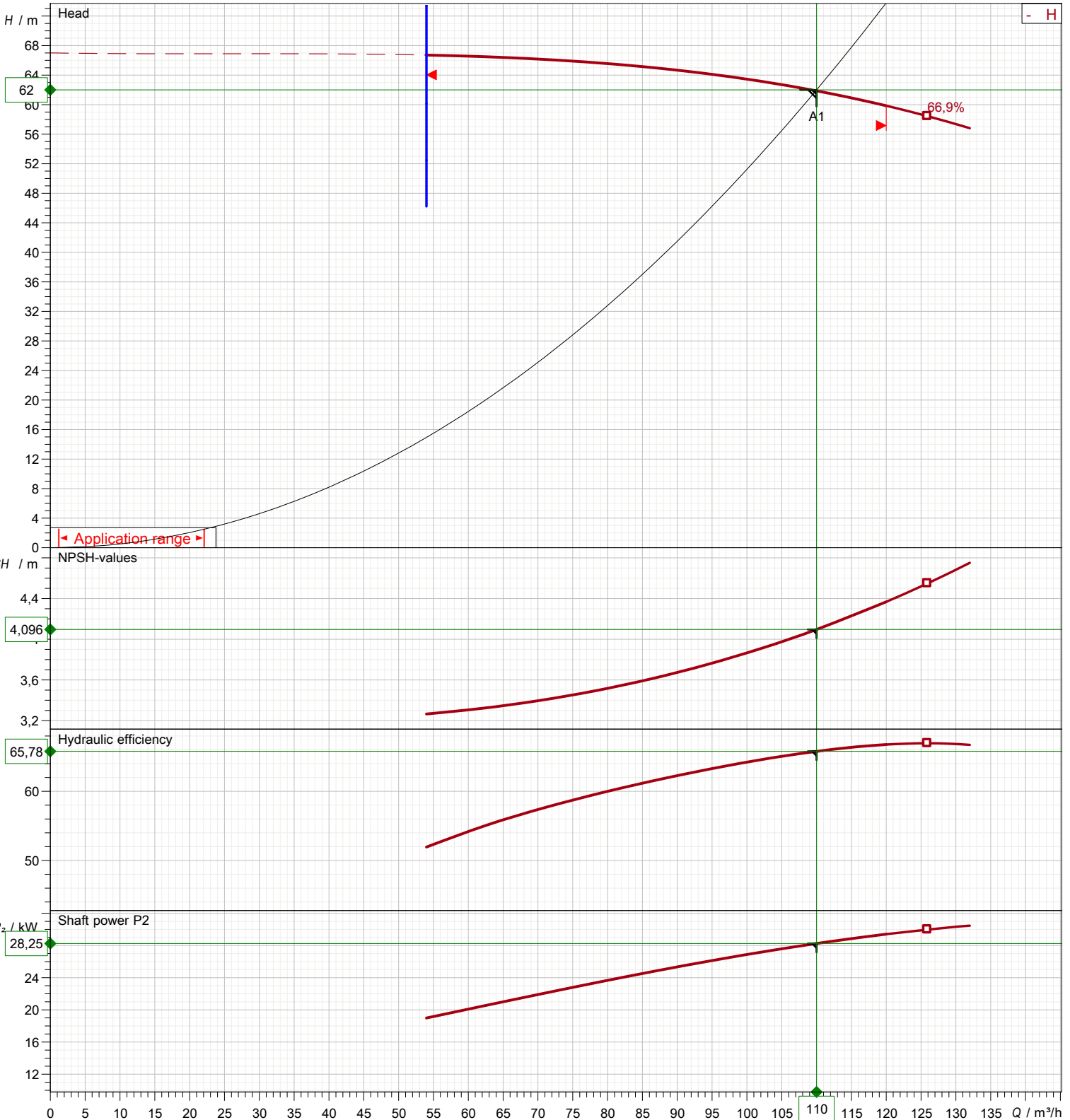


Performance curves

F43P100KH

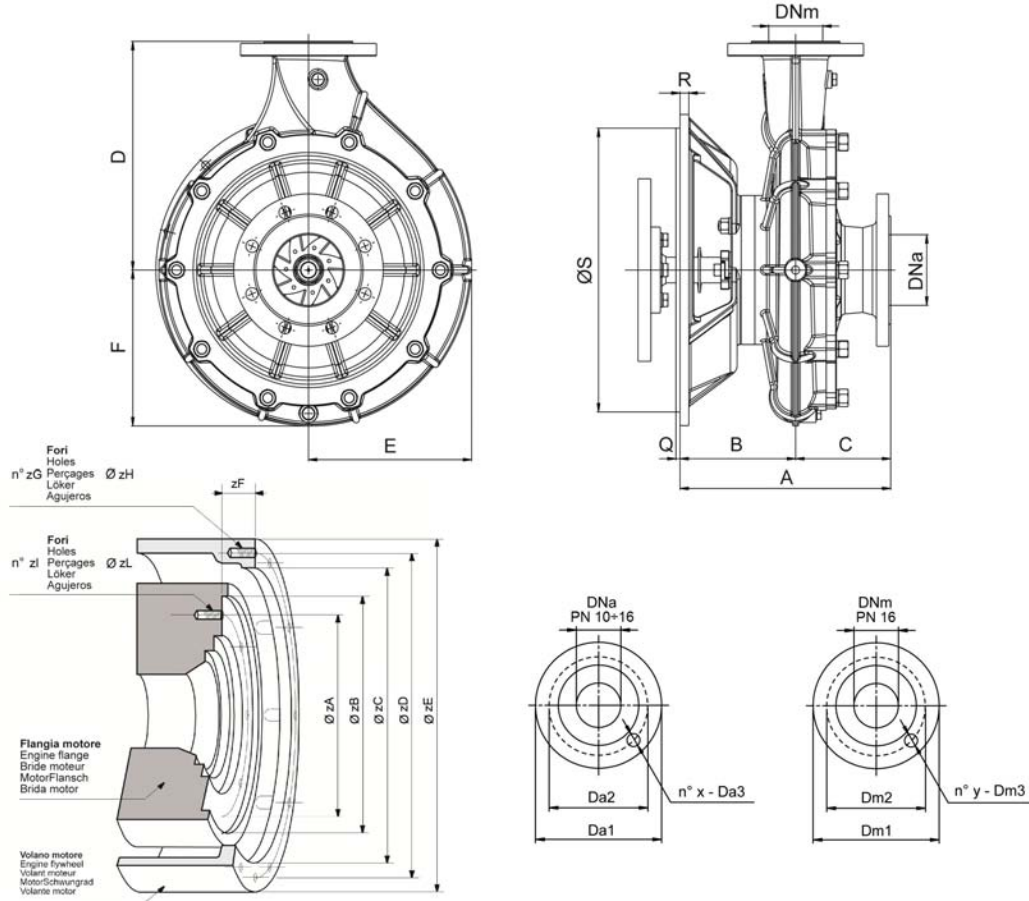
Performances

Speed		2300 1/min	Density	998 kg/m ³
Flow	Min.	54 m ³ /h	Viscosity	1 mm ² /s
	Max.	120 m ³ /h	Temperature	20 °C
Efficiency	Max.	126 m ³ /h	Tolerances	ISO 9906 Grade 3B



Types of installation

F43P100KH



Dimensions in		mm	Total weight		87 kg
DNa	100	zC	361,9		
DNm	80	zD	381		
Da1	220	zE	403		
Da2	180	zF	30,16		
Da3	19	zG	12		
x	8	zH	M10		
Dm1	200	zI	8		
Dm2	160	zL	M8		
Dm3	19				
y	8				
A	330				
B	190				
C	140				
D	330				
E	240				
F	225				
Q	6				
R	14				
S	361,9				
zA	222,2				
zB	241,3				