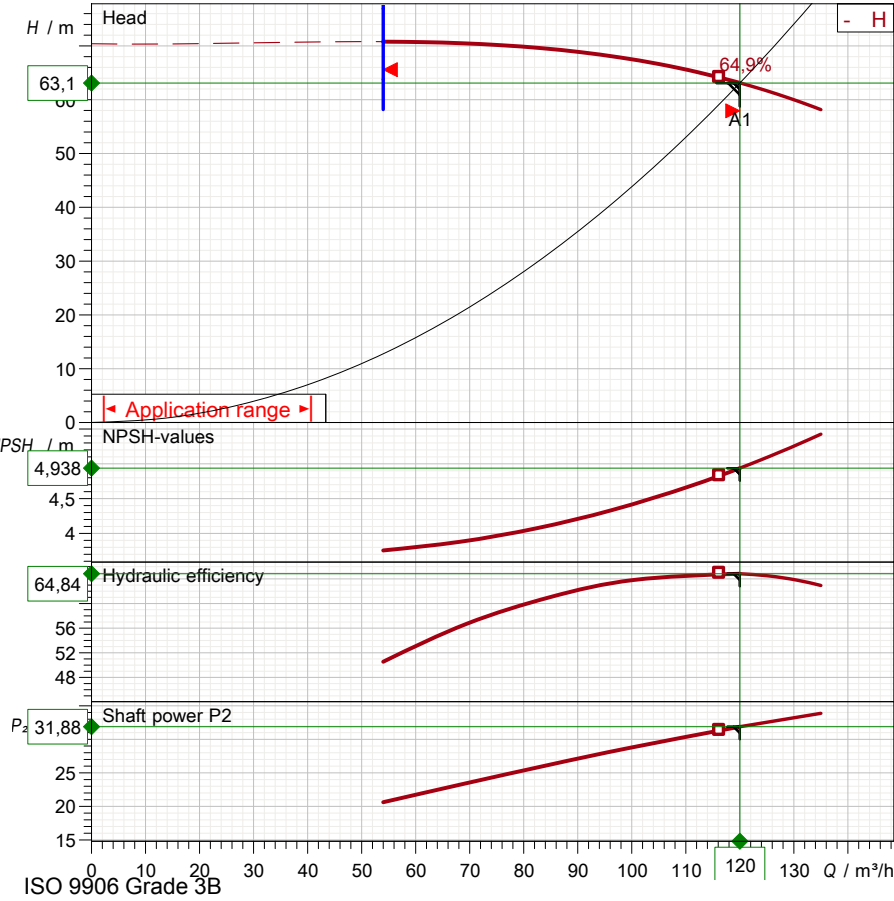


## Technical data

### F43P105H



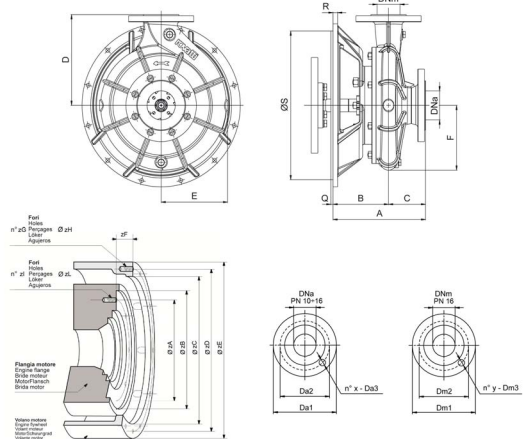
Operating data specification	
Capacity	120 $\text{m}^3/\text{h}$
Head	63,1 m
Fluid	Clean water
Type of installation	<Single head pump>

Pump operating data	
Design	F43P105H
Impeller $\varnothing$	265 mm
Speed	2600 1/min
Flow	120 $\text{m}^3/\text{h}$
Head	63,1 m
Shaft power $P_2$	31,9 kW
Efficiency	64,8 %
Head ( $Q=0$ )	70,4 m
Non return valve loss	

Motor coupling	
Flange	SAE 4
Flywheel	7 1/2"

Use limits	
Max N° startings/hour	
Max. runing time with $Q=0$	2 min
Max. solids contents	40 $\text{g}/\text{m}^3$
Max. pumped liquid temperature	90 °C
Maximum density	998 $\text{kg}/\text{m}^3$
Maximum viscosity	1 $\text{mm}^2/\text{s}$

Materials	
Suction bowl	Cast iron
Impeller	Cast iron
Pump body	Cast iron
Stuffing-box flange	Brass
Stuffing-box packing	Synthetic fibers
Shaft	Steel
Flange	Spheroidal cast iron



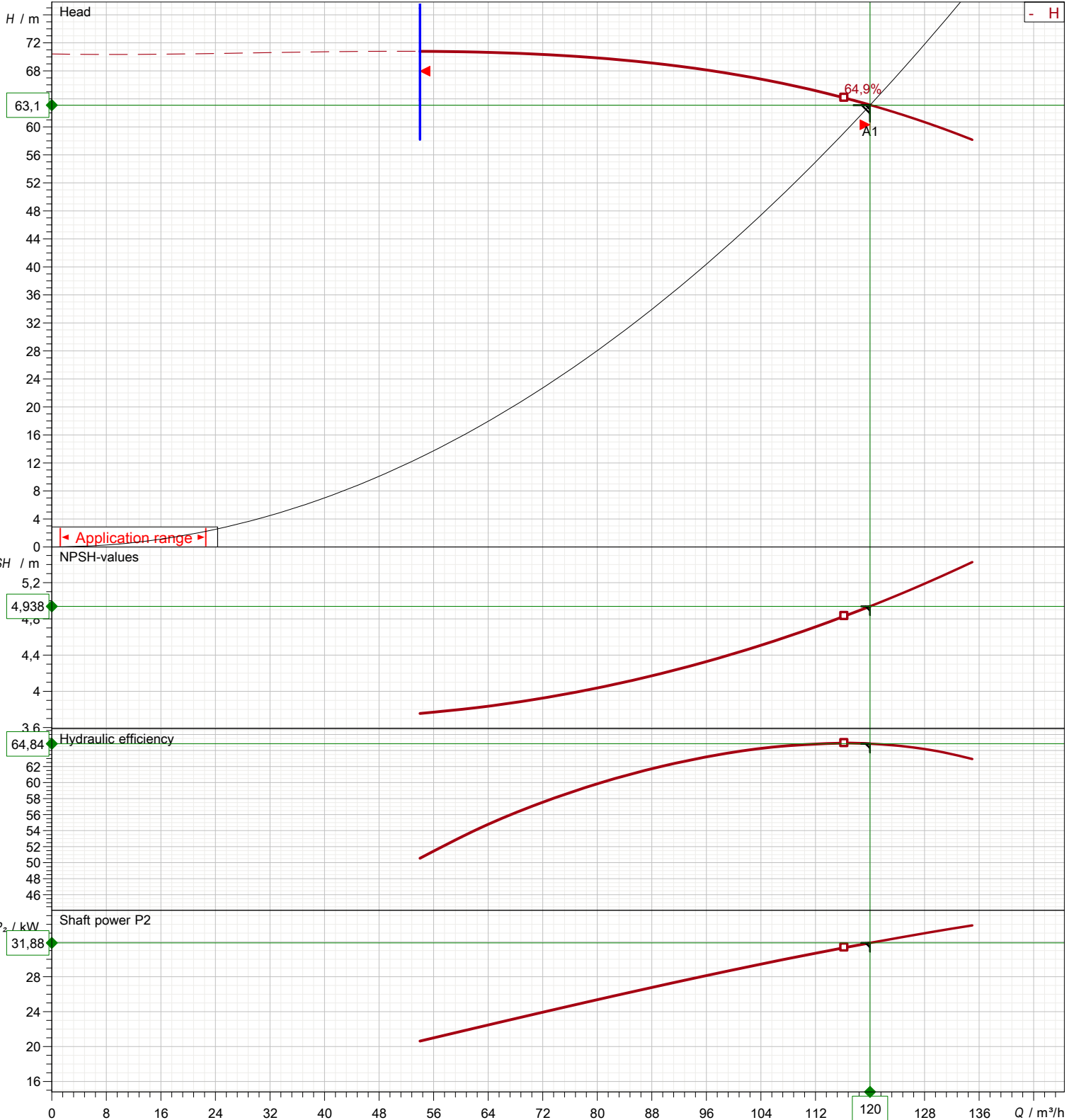
Dimensions in					Total weight					74 kg	
				mm							
DNa	100	Dm3	19	R	14	zG	12				
DNm	80	y	8	S	361,9	zH	M10				
Da1	220	B	190	zA	222,2	zI	8				
Da2	180	C	110	zB	241,3	zL	M8				
Da3	19	D	290	zC	361,9						
x	8	E	220	zD	381						
Dm1	200	F	209	zE	403						
Dm2	160	Q	6	zF	30,16						

## Performance curves

### F43P105H

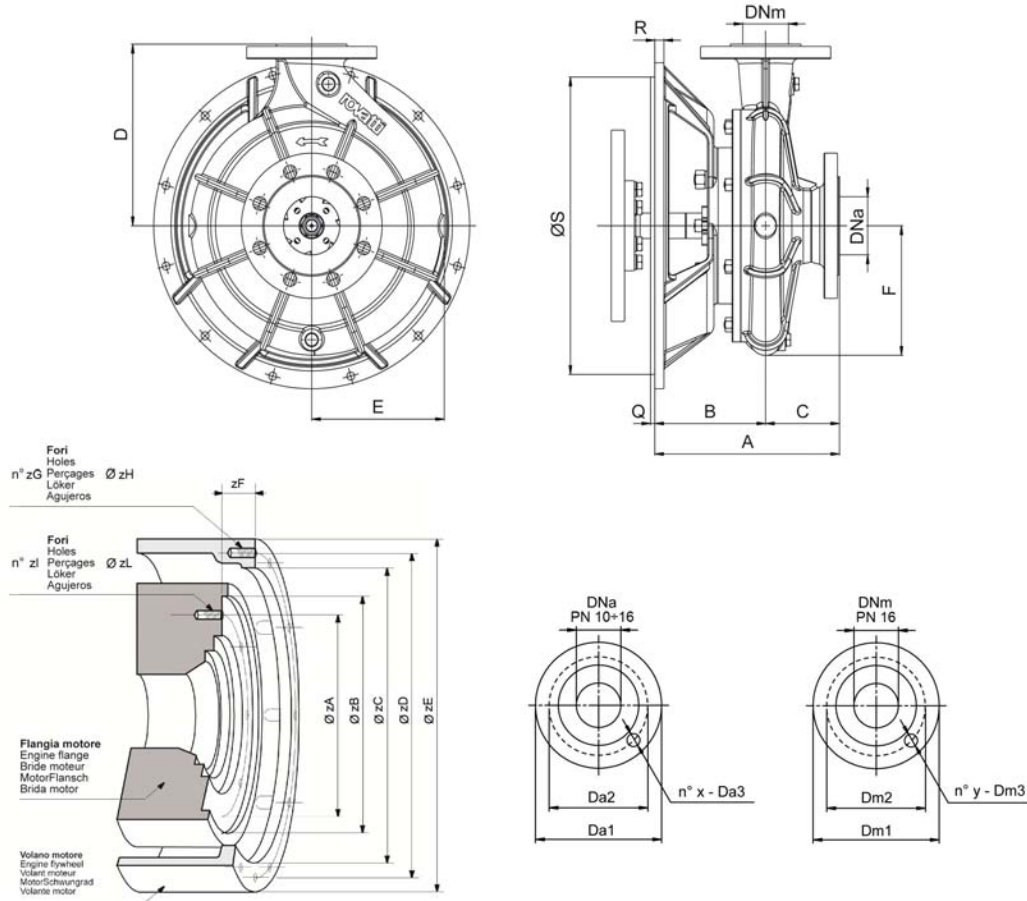
#### Performances

Speed	2600 1/min	Density	998 kg/m <sup>3</sup>
Flow	Min. 54 m <sup>3</sup> /h	Viscosity	1 mm <sup>2</sup> /s
	Max. 120 m <sup>3</sup> /h	Temperature	20 °C
Efficiency	Max. 116 m <sup>3</sup> /h	Tolerances	ISO 9906 Grade 3B



## Types of installation

### F43P105H



Dimensions in		mm	Total weight		74 kg
DNa	100	zD	381		
DNm	80	zE	403		
Da1	220	zF	30,16		
Da2	180	zG	12		
Da3	19	zH	M10		
x	8	zI	8		
Dm1	200	zL	M8		
Dm2	160				
Dm3	19				
y	8				
B	190				
C	110				
D	290				
E	220				
F	209				
Q	6				
R	14				
S	361,9				
zA	222,2				
zB	241,3				
zC	361,9				