

**Main Features:**

1. BC7031A floating battery charger is specially designed for the battery of a diesel engine.
2. The charger will supply current to the battery until the battery terminal voltage is equal to the set float voltage, at which point only a trickle charge current is present. When the battery voltage falls due to a load being applied and the battery being discharged, the charger will once again supply current to restore the voltage of the battery to the float voltage. This can keep the battery on the full charged status and ensure the life of the battery. Below is a Diagram of the charge procedure.
3. With wide range power input as the power factor control, switch power supply circuit, high charging efficiency and compact design.
4. One design for both 12VDC and 24VDC with a switch selector on the front panel.
5. With protection for under/over voltage, over current, over heat and open circuit.
6. Mounting: screws or DIN35 (non vibration environment).



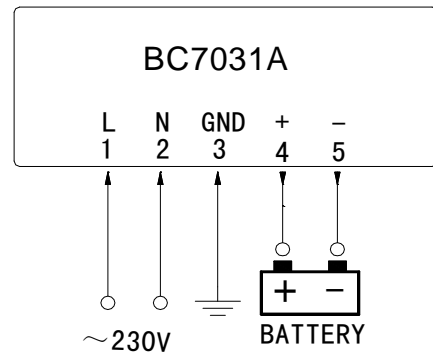
**Descriptions:**

POWER LED Lamp: When Power supply is normal this L.E.D. will illuminat

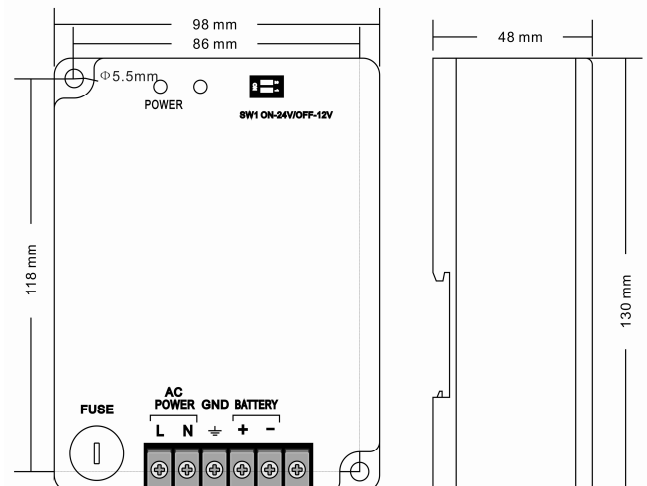
**Specifications:**

Battery	12V	24V
Low Battery Voltage	<10.5V	<21V
Valve Value of Tiny Current	13.7 V	27.4V
Charging Current	5A	3A
Temperature control	Charging current reduces to half when higher than 50°C	
DCV Accuracy	1.5%	
DCA Accuracy	5%(rated current)	
Rated Voltage	180~264VAC	
Frequency	45 to 65 Hz	
Max. power	≤80VA	
Operating temperature	-20°C~70°C	
Storage temperature	-30°C~80°C	
Dimensions	130*98*48mm	

**Wiring Diagram:**



**Dimension:**



**Charging Curve:**

