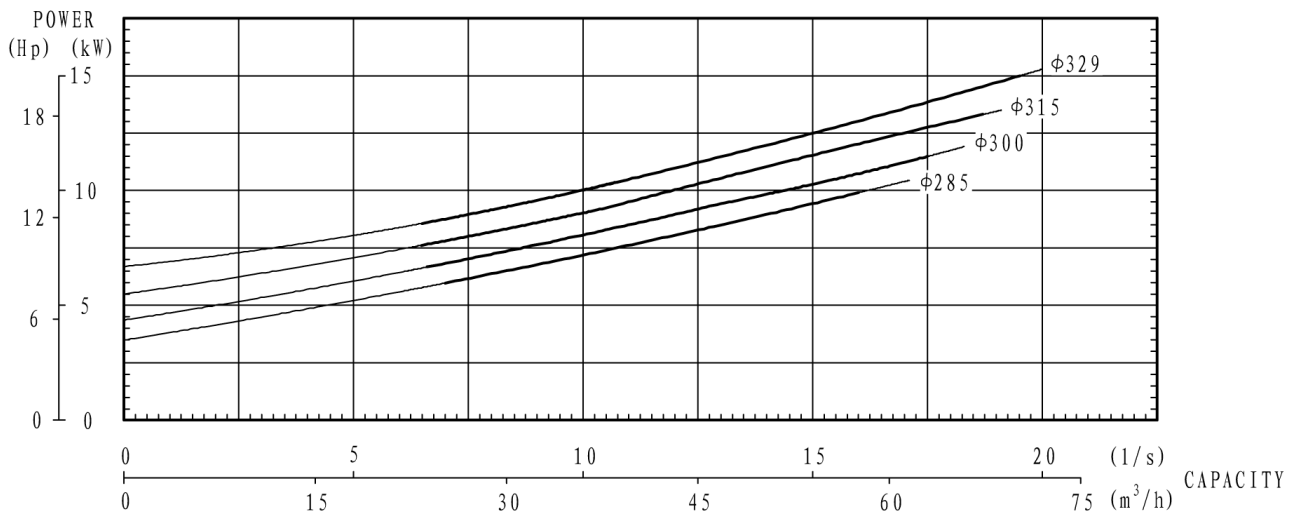
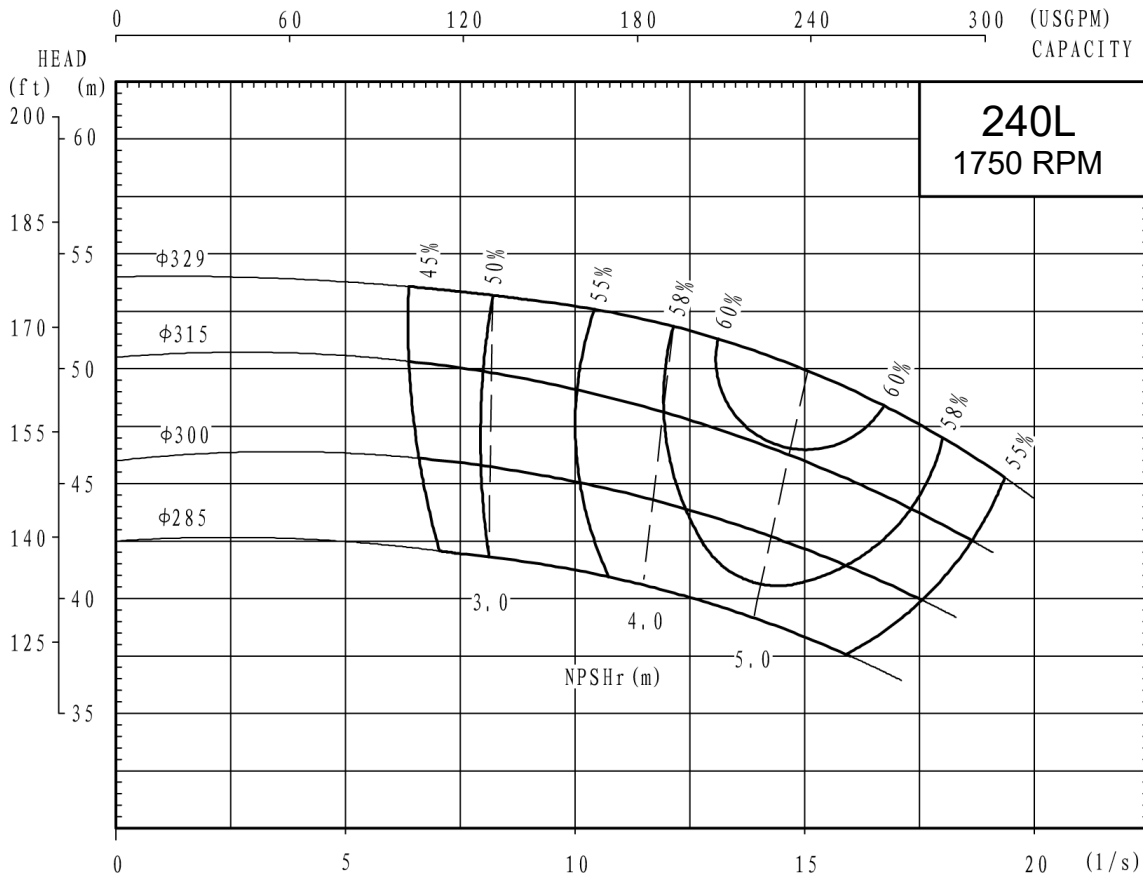




Series: LMH Model: 240L In/Out.: 2.5" x 2" Weight: 100 kg



www.dinatek.ec