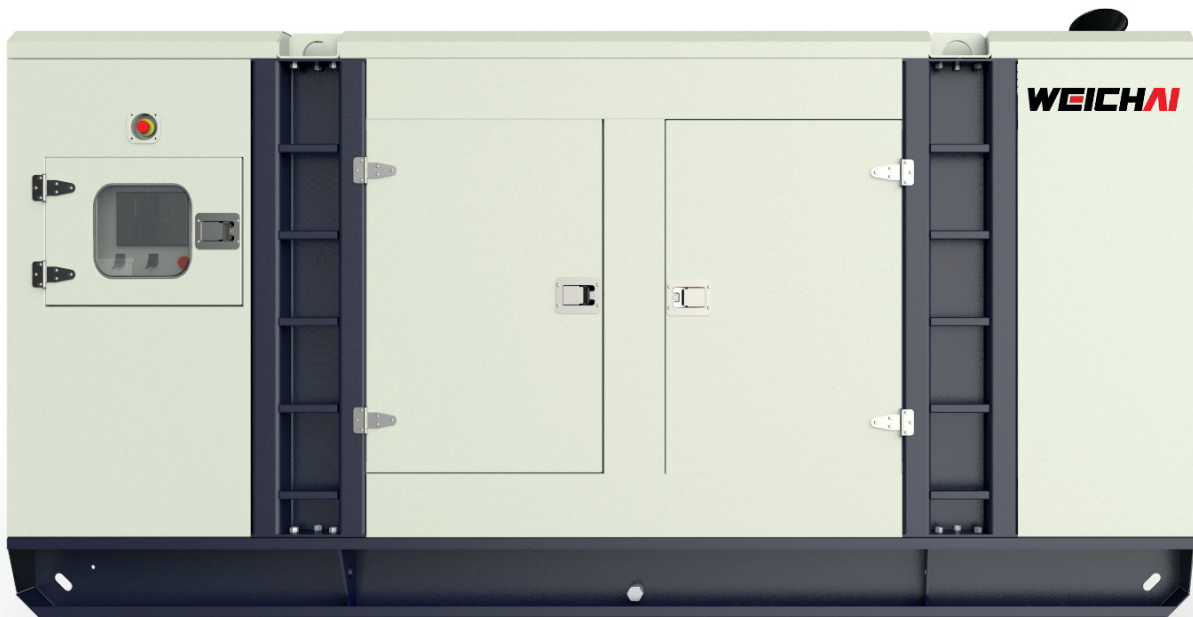


IMPORTANTE: La información de esta ficha técnica, puede variar sin previo aviso, de acuerdo a la evolución de las normas, avances tecnológicos, requisitos del mercado o autoridad competente. Es importante confirmar toda la información con un asesor de DINATEK y verificar que el equipo sea el correcto para la aplicación destinada.

WEICHA

WPG400

WEICHA GEN-SETS DATASHEET



Gen-set specifications

Model	WPG400
Standby Rating kVA/kWe	500 / 400
Prime Rating kVA/kWe	450 / 360
Voltage V	220
Frequency Hz	60
Power Factor	0.8(lagging)
No. of Phases	3
Fuel consumption@25%/ 50% / 75%(L/h)	14.4 / 46.2 / 66.6
Fuel consumption@100% / 110% (L/h)	91.0 / 100.4
Sound@1m (dB·(A))	Open ≤ 105; Silence ≤ 85
Ambient temp (°C)	-10~45
Gen-set regulation class	ISO8528-5 G2
Steady-state voltage deviation	≤±2.5%
Transient voltage deviation (100% sudden power decrease/increase)	≤+25% ; ≤-20%
Steady-state frequency band	≤1.5%
Transient frequency deviation from rated frequency (100% sudden power decrease/increase)	≤+12%; ≤-10%

Standard Features

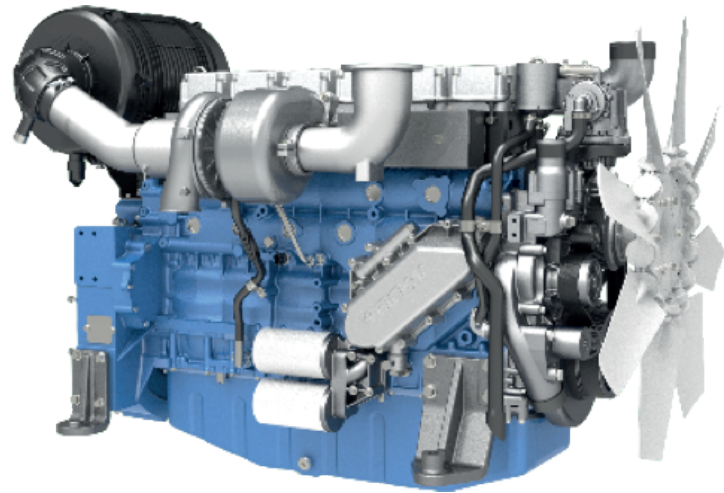
- ◆ ECU
- ◆ DC24 Electric starter
- ◆ Deep-sea DSE6120 MKIII
- ◆ Closed water-cooled
- ◆ IP23
- ◆ H type insulation
- ◆ Air filter
- ◆ Muffler
- ◆ Circuit Breaker
- ◆ Starting batteries
- ◆ with connective wires
- ◆ Radiator
- ◆ Oil Drain Valve
- ◆ Forklift Groove
- ◆ Shock Absorber
- ◆ Color Weichai blue (F)/beige canopy and black chassis (L)
- ◆ Packaging Packing case (F)/ Wound film packing(L)

Options

- ◆ Voltage 380V/416V
- ◆ Voltage 440V/480V
- ◆ Single Voltage 220V/230V
- ◆ Automatic Transfer Switch
- ◆ Automatic Parallel system
- ◆ PMG/AREP
- ◆ Engine Heater (water)
- ◆ Engine Heater (air inlet)
- ◆ Alternator heater
- ◆ External fuel tank 1000L/1500L

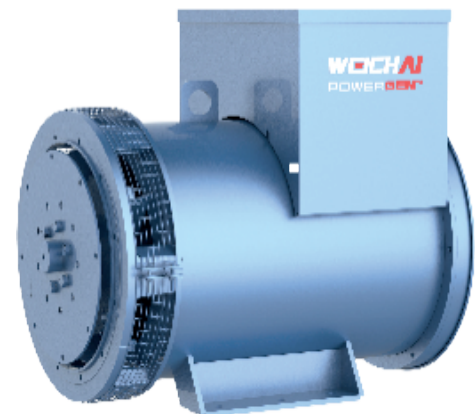
Engine

- Weichai WP13 series, 6 cylinder, in-line 4 stroke, radiator cooled engine
- Well-designed air handling system with
 - Dry type, Replaceable paper element air cleaner with restriction indicator
 - Air to air after cooling
 - Optimized turbocharger for increased altitude capabilities
 - High efficiency, large heat area intercooler, reduce the air temperature after the intercooler
- Fuel system with A1 class electronic governing
- Radiator system
- Electrical starter motor with soft start engagement feature
- Intelligent fuel injection technology to start fast guarantee
- Battery charging alternator



Alternator

- Brushless type, Screen protected, Revolving field, Self-excited alternator conforming to IEC 60034-1
- Best in class efficiency
- Steel casing
- Compact design with sealed bearings for longer life and lesser maintenance
- IP23 standard protection level
- Impregnation on all wound components for better mechanical strength



Control Module Specifications

The DSE6120 MKIII is an Auto Mains Failure Control Module

- Back-lit LCD display
- 3 Phase generator and 3 Phase Mains monitoring
- Monitoring speed, frequency, voltage, current, oil pressure, coolant temperature and fuel level
- Display warning, shutdown, and engine status information
- Hours counter provides accurate information for monitoring and maintenance



Engine specifications

Make	WEICHAI
Mode	WP13D460E311
Rated Speed r/min	1800
Prime Power kW	418
Cooling	Liquid cooled
Governor	ECU
Aspiration	TA
No. of cylinders	6, in-line
Bore (mm) x Stroke (mm)	127×165
Displacement (L)	12.54
Starting system	24VDC Electrical
Total lubrication system capacity (L)	34
Total coolant capacity (L)	47
Cooling fan airflow (m ³ /min)	710
Exhaust Temperature (°C)	≤580
Combustion air flow @ ESP (m ³ /min)	32.4
Exhaust back pressure (mBar)	≤120
Radiator design temperature (°C)	50

Alternator specifications

Make	WEICHAI; LEROY-SOMER
Alternator Frame	WHA-450-4/0.22 / TAL A47 A
Exciter Type	Self-excitation
Enclosure	IP23
Voltage regulation	±1%
Class of Insulation	H
Winding Pitch	2/3
Rotor	Single bearing

REMARKS

Prime power(PRP)

Prime power is defined as being the maximum power which a generating set is capable of delivering continuously while supplying a available electrical load when operated for an unlimited number of hours per year under the agreed operating conditions with the maintenance intervals and procedures being carried out as prescribed by the manufactures.

The permissible average power output, over 24h of operation shall not exceed 70% of the PRP unless otherwise agreed by the RIC engine manufacturer.

Emergency standby power(ESP)

Emergency standby power is defined as the maximum power available during a available electrical power sequence, under the stated operating conditions, for which a generating set is capable of delivering in the event of a utility power outage or under test conditions for up to 200h of operation per year with the with the maintenance intervals and procedures being carried out as prescribed by the manufactures.

The permissible average power output, over 24h of operation shall not exceed 70% of the ESP unless otherwise agreed by the RIC engine manufacturer.

Standard Reference Condition

Standard operating environment: ambient temperature is 5°C~40°C,the altitude is less than 1000m,the relative humidity is less than 90%(25°C),and there is no dust, sand dust, salt fog, mold, condensation environment, etc.

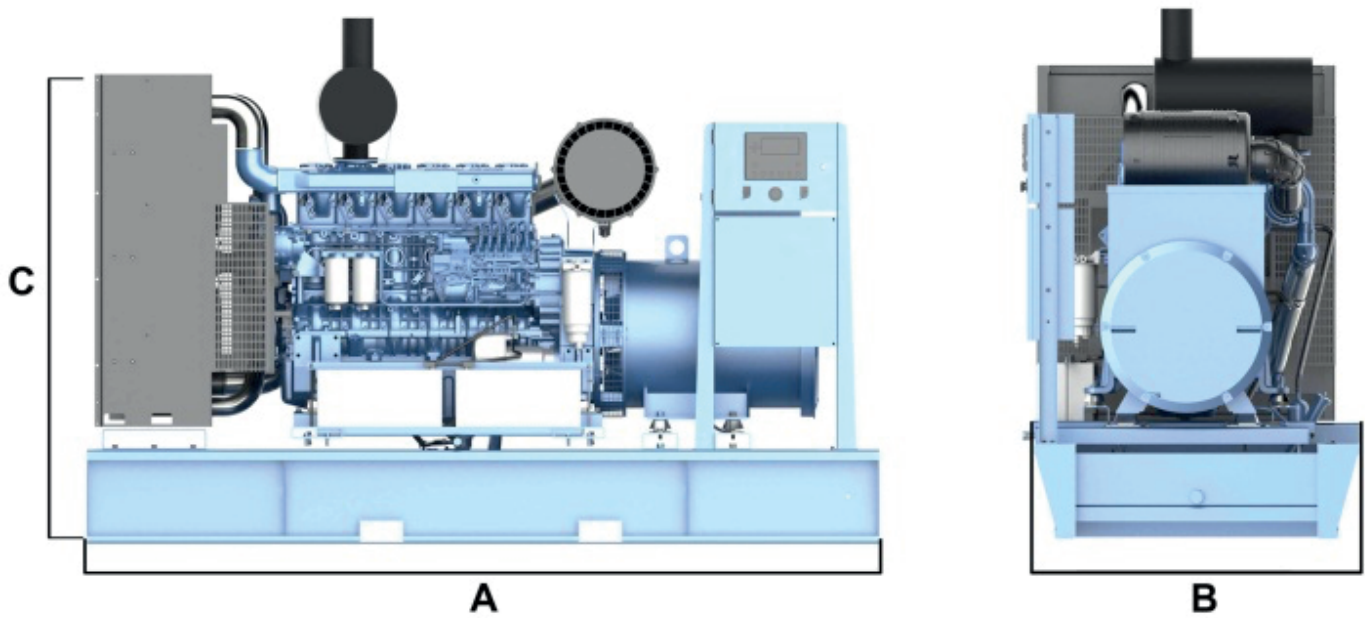
If the operating environment exceeds the above requirements, please contact the factory and consult.

If the operating environment exceeds the above requirements, please contact the factory and consult.

Typical Enclosed Genset Dimensions

	Rated POWER (KW)	Length A (mm)	Width B (mm)	Height C (mm)	Wet Weight* (Kg)	Standard Fuel Tank Capacity (L)
WPG400F86	450	3200	1345	2024	3175	450
WPG400L86	450	4450	1400	2200	3855	435

Open genset



Silence genset

