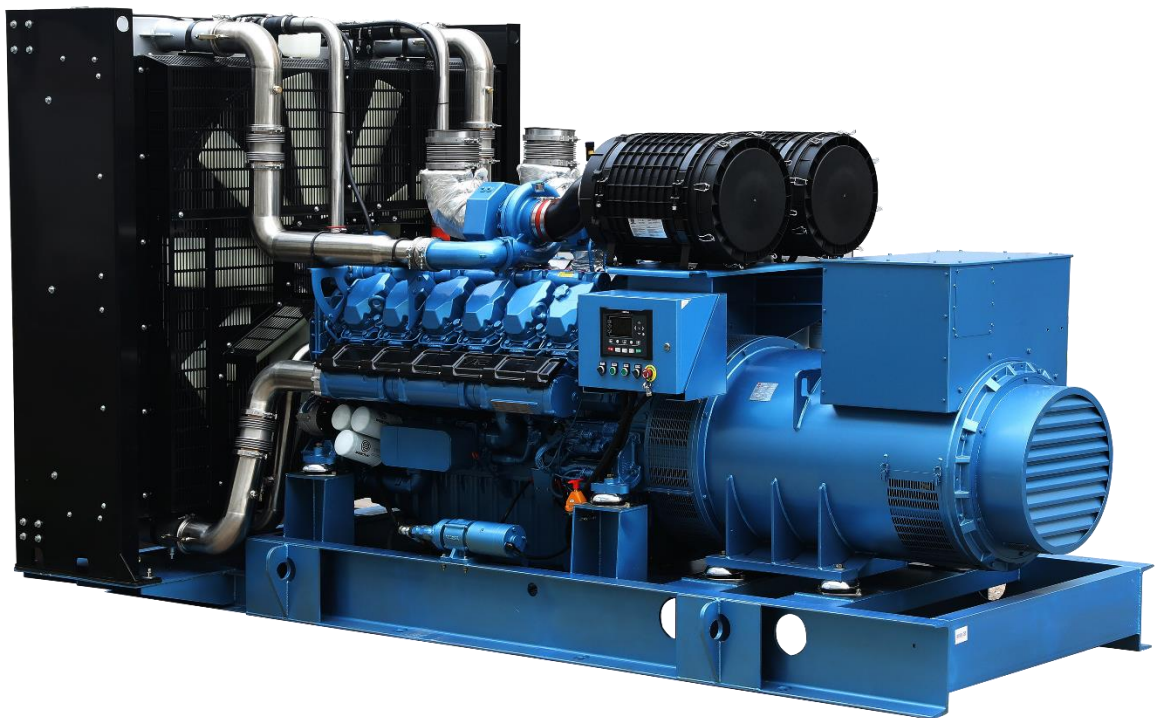


## Land Based Genset- 12M55 Series

### WPG1540 / WPG1650 / WPG1750

1925-2200kVA, 1540 -1750kWe LTP



[www.dinatek.ec](http://www.dinatek.ec)

## Engine

- Weichai **16M33** series, 16 cylinder, 4 stroke, radiator cooled engine
- Well-designed air handling system with
  - Dry type, Replaceable paper element air cleaner with restriction indicator
  - Liquid (water + 50% antifreeze)
  - Optimized turbocharger for increased altitude capabilities
  - High efficiency, large heat area intercooler, reduce the air temperature after the intercooler
- ECU、High Pressure Common Rail
- Standard integral set-mounted radiator system, designed and tested for 50°C ambient temperature
- First fill of lube oil and coolant
- Electrical starter motor with soft start engagement feature
- Intelligent fuel injection technology to start fast guarantee
- Battery charging alternator
- 4 x 12 V DC batteries

## Alternator

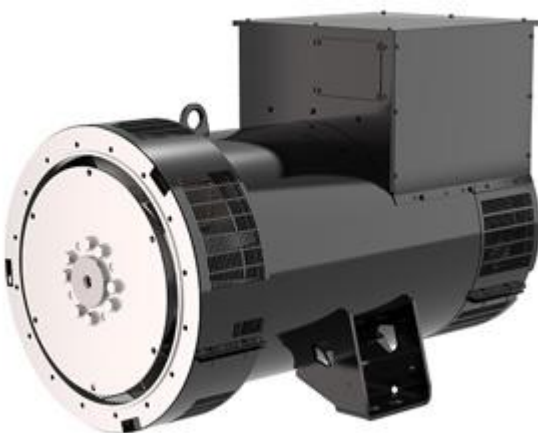
- Brushless type, Screen protected, Revolving field, Self excited alternator conforming to IS/IEC 60034-1
- Best in class efficiency
- Steel casing
- Compact design with sealed bearings for longer life and lesser maintenance
- IP23 standard protection level
- Impregnation on all wound components for better mechanical strength

## Control Module Specifications

### The DSE 7320 is an Auto Mains Failure Control Module

- Back-lit LCD display
- 3 Phase generator and 3 Phase Mains monitoring
- Monitoring speed, frequency, voltage, current, oil pressure, coolant temperature and fuel level
- Display warning, shutdown and engine status information
- Hours counter provides accurate information for monitoring and maintenance

**LEROY-SOMER**™



**DSE**®



## Technical Data

### Generator Set Specification

Model	WPG1540*76	WPG1650*76	WPG1750*76
Standby Rating kVA/kWe	1925/1540	2000/1650	2200/1750
Prime Rating kVA/kWe	1750/1400	1875/1500	/
Voltage V	440/240	440/240	440/240
Frequency Hz	60	60	60
Power Factor	0.8(lagging)	0.8(lagging)	0.8(lagging)
No. of Phases	3	3	3

### Engine specification

Make	Weichai	Weichai	Weichai
Mode	16M33G1500/6	16M33G1650/6	16M33G1750/6
Rated Speed	1800	1800	1800
Prime Power	1530	1625	1750
Cooling	Liquid (water + 50% antifreeze)	Liquid (water + 50% antifreeze)	Liquid (water + 50% antifreeze)
Governor	ECU	ECU	ECU
Aspiration	Turbocharged and Aftercooled	Turbocharged and Aftercooled	Turbocharged and Aftercooled
No. of cylinders	16	16	16
Bore (mm) x Stroke (mm)	150x185	150x185	150x185
Displacement (L)	52.3	52.3	52.3
Fuel consumption@75%(L/h)	240	251	252
Fuel consumption@100% (L/h)	330	360	365
Starting system	24VDC Electrical	24VDC Electrical	24VDC Electrical
Total lubrication system capacity (L)	175	175	175
Total coolant capacity (L)	542	542	542
Cooling fan airflow (m <sup>3</sup> /min)	2340	2340	2340
Exhaust Temperature (°C)	≤550	≤550	≤550
Recommended air flow @ PRP (m <sup>3</sup> /min)	106	136.3	/
Exhaust back pressure (mBar)	≤75	≤75	≤75
Radiator design temperature (°C)	50	50	50

### Alternator specification

Make	LEROY-SOMER	LEROY-SOMER	LEROY-SOMER
Alternator Frame	LSA50.2 VL10[1488]	LSA52.3 S5[1637]	LSA52.3 S5[1637]
Exciter Type	Self-excitation	Self-excitation	Self-excitation
Enclosure	IP23	IP23	IP23
Voltage regulation	±1%	±1%	±1%
Class of Insulation	H	H	H
Winding Pitch	2/3	2/3	2/3
Rotor	Single bearing	Single bearing	Single bearing

## Remarks

**Prime Rating:** These ratings are applicable for supplying continuous electrical power (at variable load) in the lieu of commercially purchased power. There is no limitation to the annual hours of operation and this model can supply 10% overload power for 1 hour in 12 hours.

**Standby Rating:** These ratings are applicable for supplying continuous electrical power (at variable load) in the event of a utility power failure. No overload is permitted on these ratings. The alternator on this model is peak continuous tested (as defined in ISO 8528-3).

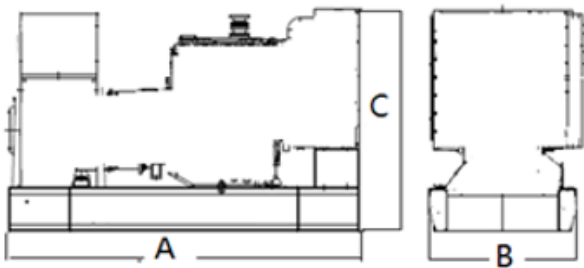
## Standard Reference Conditions

Note: Standard reference conditions 25°C(77°F) Air Inlet Temp, 100m(328 ft) A.S.L. 30% relative humidity. Fuel consumption data at full load with diesel fuel with specific gravity of 0.85 and conforming to BS2869: 1998, Class A2.

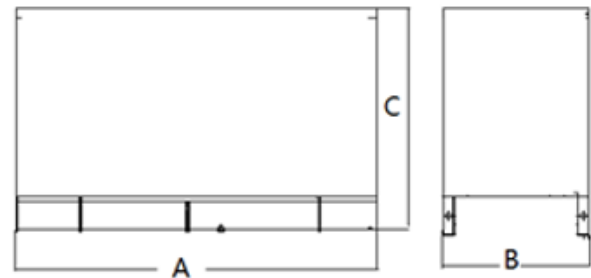
## Genset Dimensions (B: Open Series without Fuel Tank / C: Container mounted Series)

Genset Mode	Prime Rating (kVA)	Length A(mm)	Width B(mm)	Height C(mm)	Wet Weight (kg)	Standard Fuel tank Capacity (L)
WPG1540*76	1750	5600	2300	2900	13500	/
		Non-standard 40 feet			28000	1000
WPG1650*76	1875	5600	2300	2900	14000	/
		Non-standard 40 feet			28500	1000
WPG1750*76	/	5600	2300	2900	14500	/
		Non-standard 40 feet			29000	1000

Open genset



Enclosed genset



## Sales Promises

Each and every unit is strictly factory tested.

Warranty time: Prime duty 1 year or 1000Hours. Stand-by duty 2 years or 1000 hours.

Service and parts are available from Weichai Power or distributors in your location.

Distributed By:



Manufacturer: Weichai Heavy Machinery Co., Ltd  
 Address: 197 A, Fushou East Street, High-Tech Development Zone, Weifang, China  
[www.weichaihm.com](http://www.weichaihm.com)

