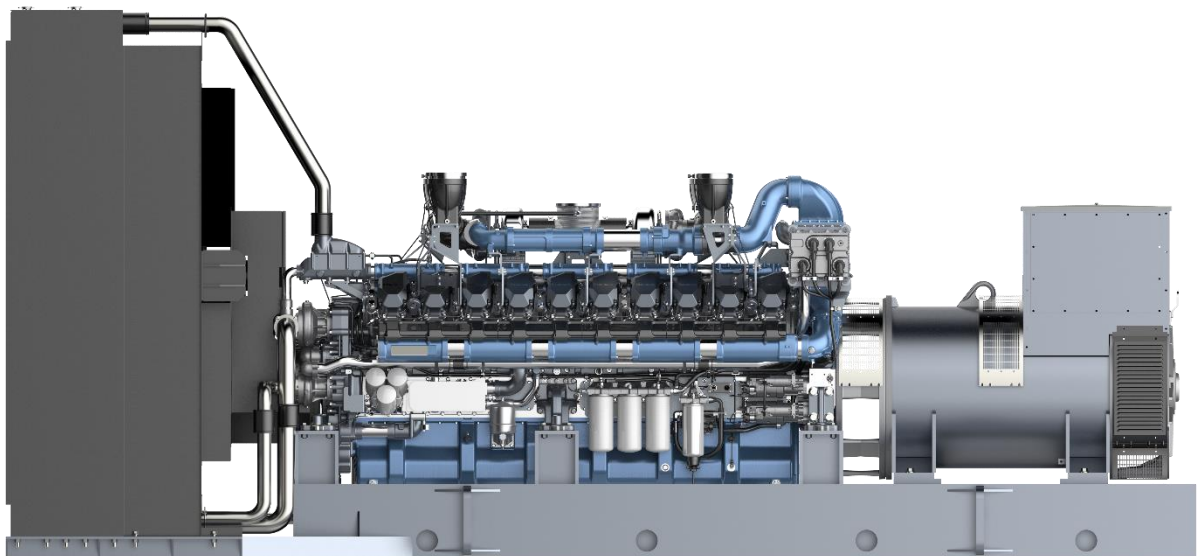


Land Based Genset- 20M33 Series

WPG2000

2250kVA, 1800kWe Prime



WEICHA



 **dinatek**

www.dinatek.ec

Engine

- Weichai 20M33 series, 20 cylinder, 4 stroke, radiator cooled engine
- Well-designed air handling system with
 - Dry type, Replaceable paper element air cleaner with restriction indicator
 - Liquid (water + 50% antifreeze)
 - Optimized turbocharger for increased altitude capabilities
 - High efficiency, large heat area intercooler, reduce the air temperature after the intercooler
- ECU、High Pressure Common Rail
- Standard integral set-mounted radiator system, designed and tested for 50°C ambient temperature
- First fill of lube oil and coolant
- Electrical starter motor with soft start engagement feature
- Intelligent fuel injection technology to start fast guarantee
- Battery charging alternator
- 6 x 12 V DC batteries

Alternator

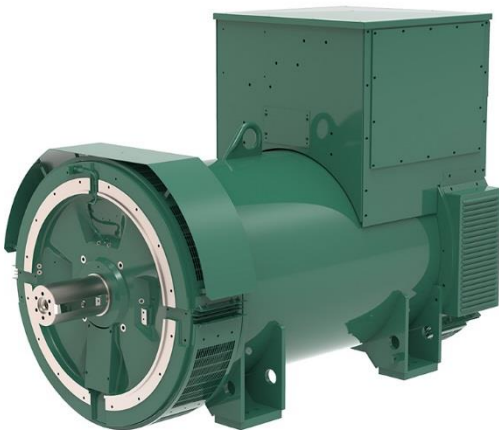
- Brushless type, Screen protected, Revolving field, Self excited alternator conforming to IS/IEC 60034-1
- Best in class efficiency
- Steel casing
- Compact design with sealed bearings for longer life and lesser maintenance
- IP23 standard protection level
- Impregnation on all wound components for better mechanical strength

Control Module Specifications

The DSE7320 is an Auto Mains Failure Control Module

- Back-lit LCD display
- 3 Phase generator and 3 Phase Mains monitoring
- Monitoring speed, frequency, voltage, current, oil pressure, coolant temperature and fuel level
- Display warning, shutdown and engine status information
- Hours counter provides accurate information for monitoring and maintenance

LEROY-SOMER™



Technical Data

Generator Set Specification

Model	WPG2000*76
Standby Rating kVA/kWe	2500/2000
Prime Rating kVA/kWe	2250/1800
Voltage V	440/240
Frequency Hz	60
Power Factor	0.8(lagging)
No. of Phases	3

Engine specification

Make	Weichai /Baudouin
Model	20M33G2000/6
Rated Speed	1800
Prime Power	2027
Cooling	Liquid (water + 50% antifreeze)
Governor	ECU
Aspiration	Turbocharged and Aftercooled
No. of cylinders	20
Bore (mm) x Stroke (mm)	150x185
Displacement (L)	65.4
Fuel consumption@75%(L/h)	326.9
Fuel consumption@100% (L/h)	432.8
Starting system	24VDC Electrical
Total lubrication system capacity (L)	235
Total coolant capacity (L)	410
Cooling fan airflow (m ³ /min)	3480
Exhaust Temperature (°C)	≤550
Recommended air flow @ PRP (m ³ /min)	133.3
Exhaust back pressure (mBar)	≤75
Radiator design temperature (°C)	50

Alternator specification

Make	LEROY-SOMER
Alternator Frame	LSA 52.3 S7[1936]
Exciter Type	Self-excitation
Enclosure	IP23
Voltage regulation	≤±1%
Class of Insulation	H
Winding Pitch	2/3
Rotor	Single bearing

Remarks

Prime Rating: These ratings are applicable for supplying continuous electrical power (at variable load) in the lieu of commercially purchased power. There is no limitation to the annual hours of operation and this model can supply 10% overload power for 1 hour in 12 hours.

Standby Rating: These ratings are applicable for supplying continuous electrical power (at variable load) in the event of a utility power failure. No overload is permitted on these ratings. The alternator on this model is peak continuous tested (as defined in ISO 8528-3).

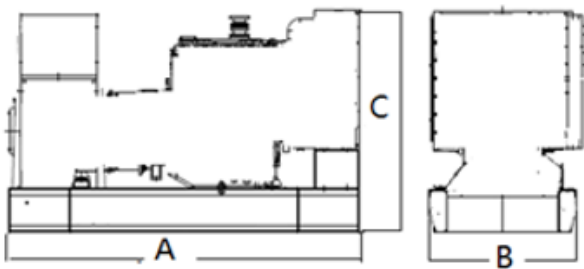
Standard Reference Conditions

Note: Standard reference conditions 25°C(77°F) Air Inlet Temp, 100m(328 ft) A.S.L. 30% relative humidity. Fuel consumption data at full load with diesel fuel with specific gravity of 0.85 and conforming to BS2869: 1998, Class A2.

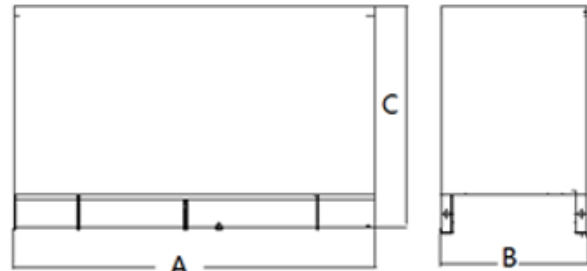
Genset Dimensions

Genset Mode	Prime Rating (kVA)	Length A(mm)	Width B(mm)	Height C(mm)	Wet Weight (kg)	Standard Fuel tank Capacity (L)
WPG2000B/C76	2250	7056	2678	2295	18900	/
		40 feet of non-standard			33900	1000

Open genset



Enclosed genset



Sales Promises

Each and every unit is strictly factory tested.

Warranty time: Prime duty 1 year or 1000Hours. Stand-by duty 2 years or 1000 hours.

Service and parts are available from Weichai Power or distributors in your location.

Distributed By:



Manufacturer: Weichai Heavy Machinery Co., Ltd
Address: 197 A, Fushou East Street, High-Tech Development Zone, Weifang, China
www.weichaihm.com

