

Land Based Genset- 12M55 Series

WPG2400

3000kVA, 2400kWe LTP



WEICHA



 **dinatek**

www.dinatek.ec

Engine

- Weichai/Baudouin 12M55 series, 12-V cylinder, 4 stroke, radiator cooled engine
- Well-designed air handling system with
 - Dry type, Replaceable paper element air cleaner with restriction indicator
 - Air to water after cooling
 - High efficiency, large heat area intercooler, reduce the air temperature after the intercooler
- Fuel system with Electrical Control Unit
- Standard integral set-mounted radiator system, designed and tested for 50°C ambient temperature
- First fill of lube oil and coolant
- Electrical starter motor with soft start engagement feature
- Intelligent fuel injection technology to start fast guarantee
- Battery charging alternator
- 6 x 12 V DC batteries

Alternator

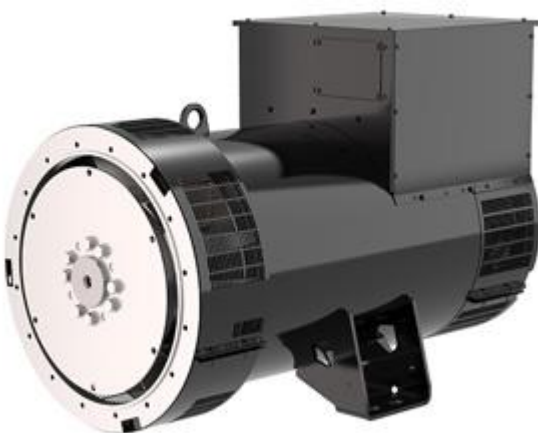
- Brushless type, Screen protected, Revolving field, Self excited alternator conforming to IS/IEC 60034-1
- Best in class efficiency
- Steel casing
- Compact design with sealed bearings for longer life and lesser maintenance
- IP23 standard protection level
- Impregnation on all wound components for better mechanical strength

Control Module Specifications

The DSE 7320 is an Auto Mains Failure Control Module

- Back-lit LCD display
- 3 Phase generator and 3 Phase Mains monitoring
- Monitoring speed, frequency, voltage, current, oil pressure, coolant temperature and fuel level
- Display warning, shutdown and engine status information
- Hours counter provides accurate information for monitoring and maintenance

LEROY-SOMER™



DSE®



Technical Data

Generator Set Specification

Model	WPG2400*76
Standby Rating kVA/kWe	3000/2400
Prime Rating kVA/kWe	2750/2200
Voltage V	440/254
Frequency Hz	60
Power Factor	0.8(lagging)
No. of Phases	3

Engine specification

Make	Weichai / Baudouin
Mode	12M55G2500/6
Rated Speed	1800
Prime Power	2450
Cooling System	Liquid (water + 50% antifreeze)
Governor	ECU
Aspiration	Turbocharged and after cooled
No. of cylinders	12,V-Type
Bore (mm) x Stroke (mm)	180x215
Displacement (L)	65.65
Fuel consumption@75%(L/h)	440
Fuel consumption@100% (L/h)	580
Starting system	24VDC
Total lubrication system capacity (L)	380
Total coolant capacity (L)	850
Cooling fan airflow (m ³ /min)	2900
Exhaust Temperature (°C)	≤511
Recommended air flow @ PRP (m ³ /min)	180
Exhaust back pressure (mBar)	≤75
Radiator design temperature (°C)	50

Alternator specification

Make	LEROY-SOMER
Alternator Frame	LSA52.3 L12
Exciter Type	AREP
Enclosure	IP23
Voltageregulation	±1%
Class of Insulation	H
Winding Pitch	2/3
Rotor	Double bearing

Remarks

Prime Rating: These ratings are applicable for supplying continuous electrical power (at variable load) in the lieu of commercially purchased power. There is no limitation to the annual hours of operation and this model can supply 10% overload power for 1 hour in 12 hours.

Standby Rating: These ratings are applicable for supplying continuous electrical power (at variable load) in the event of a utility power failure. No overload is permitted on these ratings. The alternator on this model is peak continuous tested (as defined in ISO 8528-3).

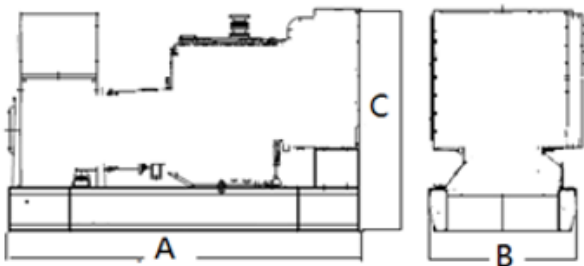
Standard Reference Conditions

Note: Standard reference conditions 25°C(77°F) Air Inlet Temp, 100m(328 ft) A.S.L. 30% relative humidity. Fuel consumption data at full load with diesel fuel with specific gravity of 0.85 and conforming to BS2869: 1998, Class A2.

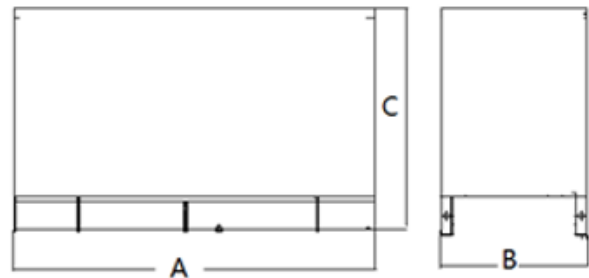
Genset Dimensions (B: Open Series without Fuel Tank / C: Container mounted Series)

Genset Mode	Prime Rating (kVA)	Length A(mm)	Width B(mm)	Height C(mm)	Weight (kg)	Standard Fuel tank Capacity (L)
WPG2400B76	2750	7050	2690	2960	20500	\
WPG2400C76	2750	13500	3000	3300	36500	1000

Open genset



Enclosed genset



Sales Promises

Each and every unit is strictly factory tested.

Warranty time: Prime duty 1 year or 1000Hours. Stand-by duty 2 years or 1000 hours.

Service and parts are available from Weichai Power or distributors in your location.

Distributed By:



Manufacturer: Weichai Heavy Machinery Co., Ltd
Address: 197 A, Fushou East Street, High-Tech Development Zone, Weifang, China
www.weichaihm.com

