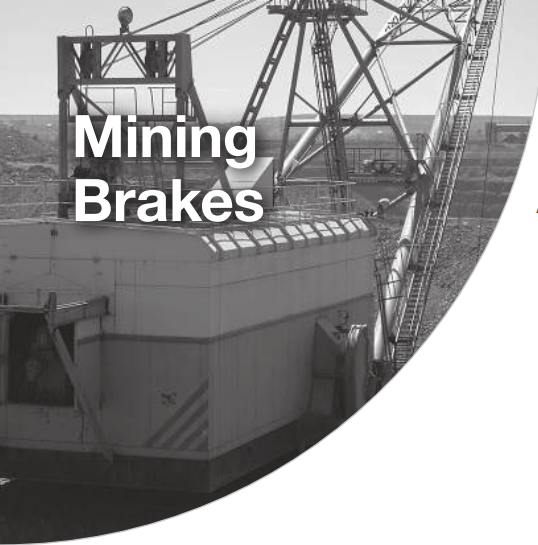




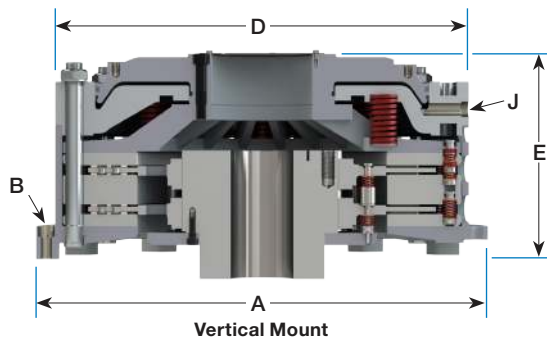
Mining Brakes and Clutches



Mining Brakes

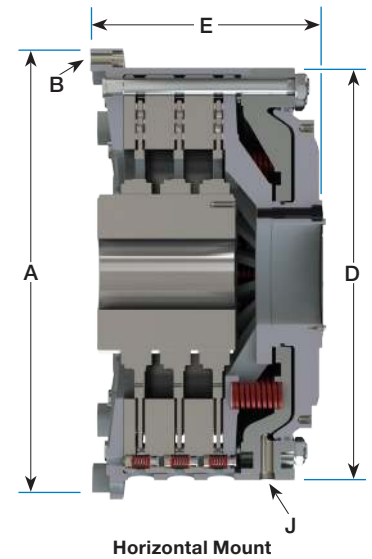


WPT Power's Mining Brakes and Clutches are designed specifically for heavy earthmoving equipment, such as rope shovels and draglines. These brake and clutch units are suitable for pneumatic operation, have a variety of torque capacities and pressure settings, and can dissipate large thermal loads. WPT Mining Brake and Clutch units are 100% compatible with competitor products, and multiple hub options are available.



Mining Brake Specifications

Model	Torque Rating @ 60 psi (4.1 Bar)*	Weight and Inertia			Lining Area
	Static Torque	Total Weight Less Hub	Drive Plate Weight	Drive Plate Inertia	
	lb-ft (N-m)	lb (kg)	lb (kg)	lb-ft ² (kg-m ²)	
PE-113	21,700 (2450)	180 (82)	16 (7)	2.6 (0.11)	90 (580)
PE-117	44,500 (5030)	350 (160)	34 (16)	8.5 (0.36)	134 (870)
PE-217	82,200 (9290)	470 (210)	60 (27)	16 (0.66)	270 (1700)
PE-121	86,700 (9800)	520 (240)	43 (20)	17 (0.73)	200 (1300)
PE-221	158,000 (17900)	660 (300)	96 (44)	35 (1.5)	400 (2600)
PE-321	212,000 (24000)	880 (400)	150 (69)	55 (2.3)	600 (3900)
PE-225	278,000 (31400)	1,200 (530)	150 (69)	89 (3.8)	540 (3500)
PE-325	386,000 (43600)	1,500 (680)	230 (110)	130 (5.4)	810 (5200)
PE-130	272,000 (30700)	1,600 (700)	100 (46)	84 (3.5)	340 (2200)



Mining Brake Dimensions

Model	A		B			D	E	J Air Inlet
	(+0.003/ -0.000)	(+0.08/ -0.00)	Hole Circle	Diameter	Quantity			
	in (mm)	in (mm)						
PE-113	18.872 (479.35)	17.63 (447.7)	21/32	8	16 5/8 (422.4)	6 9/16 (166.6)	1/2	
PE-117	23.995 (609.47)	22.50 (571.5)	25/32	12	21 (533.4)	8 5/8 (218.4)	1/2	
PE-217	23.995 (609.47)	22.50 (571.5)	25/32	12	21 (533.4)	11 1/16 (280.7)	1/2	
PE-121	28.245 (717.42)	26.75 (679.5)	25/32	12	25 (635.0)	9 1/8 (231.1)	3/4	
PE-221	28.245 (717.42)	26.75 (679.5)	25/32	12	25 (635.0)	11 1/4 (286.3)	3/4	
PE-321	28.245 (717.42)	26.75 (679.5)	25/32	12	25 (635.0)	13 1/2 (342.1)	3/4	
PE-225	32.495 (825.37)	31.00 (787.4)	25/32	12	29 3/4 (755.7)	14 1/8 (358.9)	3/4	
PE-325	32.495 (825.37)	31.00 (787.4)	25/32	12	29 3/4 (755.7)	16 15/16 (430.8)	3/4	
PE-130	38.995 (990.47)	37.00 (939.8)	29/32	12	35 1/2 (901.7)	15 1/16 (382.5)	3/4	

Consult WPT Application Engineering for application assistance, service factors, specifications, and detailed drawings/3D models.

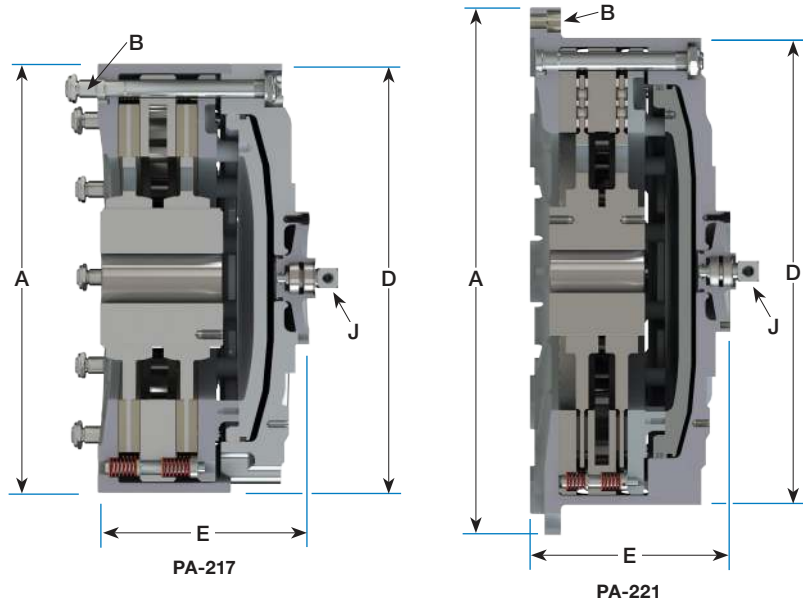
*Dynamic (slipping) Torque is 75% of the Static Torque.

NOTE: Contact WPT for other available torques and release pressures.

Mining Clutches



- Interchangeable with competitor products
- Premium metallic friction linings
- Vertical & Horizontal mounting
- Available with limit switches and wear indicators



Mining Clutch Specifications

Model	Torque Rating @ 100 psi (7 Bar)*	Weight and Inertia				Lining Area
	Static Torque	Total Weight Less Hub	Total Inertia Less Hub	Drive Plate Weight	Drive Plate Inertia	
	lb-ft (N-m)	lb (kg)	lb-ft ² (kg-m ²)	lb (kg)	lb-ft ² (kg-m ²)	in ² (cm ²)
PA-217	163,000 (18400)	340 (160)	160.00 (6.7)	60 (27)	15 (0.64)	460 (3000)
PA-221	338,000 (38100)	525 (240)	360.00 (15.2)	100 (46)	37 (1.6)	400 (2600)

Mining Clutch Dimensions

Model	A		B		D	E	J Air Inlet	
	(+.003/ -.000)	(+0.08/ -0.00)	Hole Circle	Diameter				
	in (mm)		in (mm)	in				Quantity
PA-217	20.995 (533.27)		18.50 (469.9)	7/8 - 14 NF	12	21 (533.4)	10 3/4 (272.7)	1/4
PA-221	28.245 (717.40)		26.75 (679.5)	25/32	12	25 (635.0)	10 5/16 (262.4)	3/8



Global resource network

Our qualified distributor network provides responsive and knowledgeable sales and technical support worldwide. WPT's customer care approach ensures your product needs will be met quickly and with minimum downtime – when and wherever you are.

Distributed by:

WPT Power Corporation
1600 Fisher Road
Wichita Falls, Texas 76305
U.S.A.

P.O. Box 8148
Wichita Falls, Texas 76307

+1 940-761-1971 Phone
WPTpower.com

WPT Power (Shanghai) Ltd.
No. 3-4 Building
669 MinTa Road
Songjiang, Shanghai, PRC
201617

+86-21-57847560 Phone
WPTpower.cn