



GE INDUSTRIAL MOTORS
a **WOLONG** company

Product Information Packet

November 14, 2025

Data shown is for the current revision model #. Ensure your nameplate model # matches.

Model Number:	5KFS903ZWL1032
Catalog Number:	WI172
Instruction Manual:	GEI-M1052-SP
Connection Diagram:	886070022000
Outline Drawing:	358B6961AA

Accessory Connection Diagrams

Bearing Thermocouple:	None	Heater:	None
RTD:	None	Thermistor:	886070014000
Thermostat:	None	Winding Thermocouple:	None
Bearing RTD:	None		

Table of Contents

Specification	01
Performance Characteristics	02
Outline Drawing	03
Connection Drawing(s)	04

Marks:

MODEL NUMBER:	5KFS903ZWL1032	Estimated Weight(kg):	26
Outline Drawing:	358B6961AA	Duty:	S1
Connection Diagram:	886070022000	Enclosure:	TEFC
Connection:	2WYE / WYE	Encl Construction:	Energy Saver
Instruction Book:	GEI-M1052-SP	Cooling (IC):	411
Design Code:	NA	Protection (IP):	55
Type:	KFS	Ambient Max (°C):	40
Frame:	90L	Alt Ambient Max(°C):	--
Mounting (IM):	B3	Ambient Min(°C):	-15
Phases:	3	Insulation Class:	F
Poles:	2	IEC Design:	N
Output Power :	3HP/2.2kW	Nominal Efficiency (%):	IE3-86.5
RPM:	3440	Guaranteed Efficiency (%):	84.5
Voltage(V):	220/440	Power Factor (%):	85.0
Hertz:	60	Bearing - DE:	6205/2Z C3
Amps - FL:	7.86/3.93	Bearing - ODE:	6203/2Z C3
Service Factor:	1.15	Vibration (mm/s) rms:	2.8
Alt Service Factor:	--		

Enclosure is Totally Enclosed Fan-Cooled

Stamped Nameplate Notes:Additional Information:

SUITABLE FOR DOL STARTING
 ROTATION: CW VIEWED FROM DE
 INVERTER DUTY PER IEC TS 60034-25, SECTION 18
 INVERTER RATED PWM 20:1 VARIABLE TORQUE, 1.0 SF



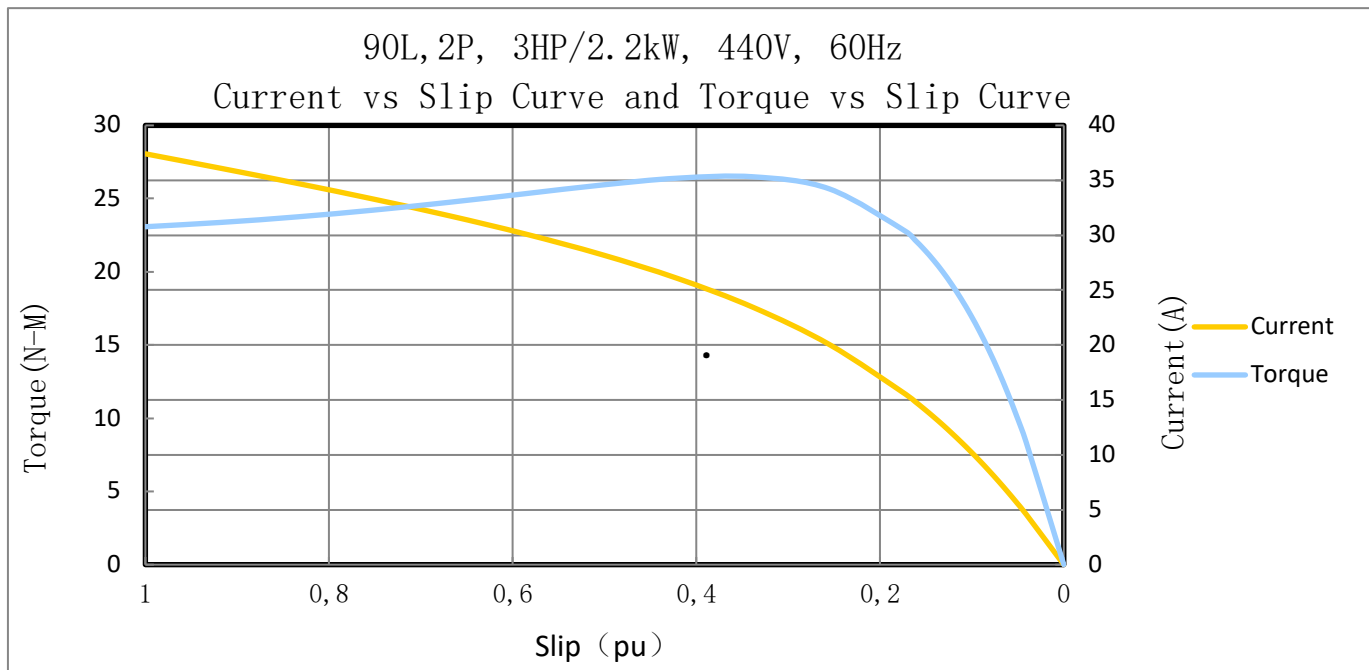
Performance Characteristic:

LOAD %	125.0	115.0	100.0	75.0	50.0	25.0	0.0
% EFF	85.53	86.04	86.68	87.28	86.81	82.63	0
% PF	92.17	91.51	90.08	85.73	76.25	53.65	26.54
AMPS	4.58	4.22	3.7	2.89	2.18	1.63	1.37

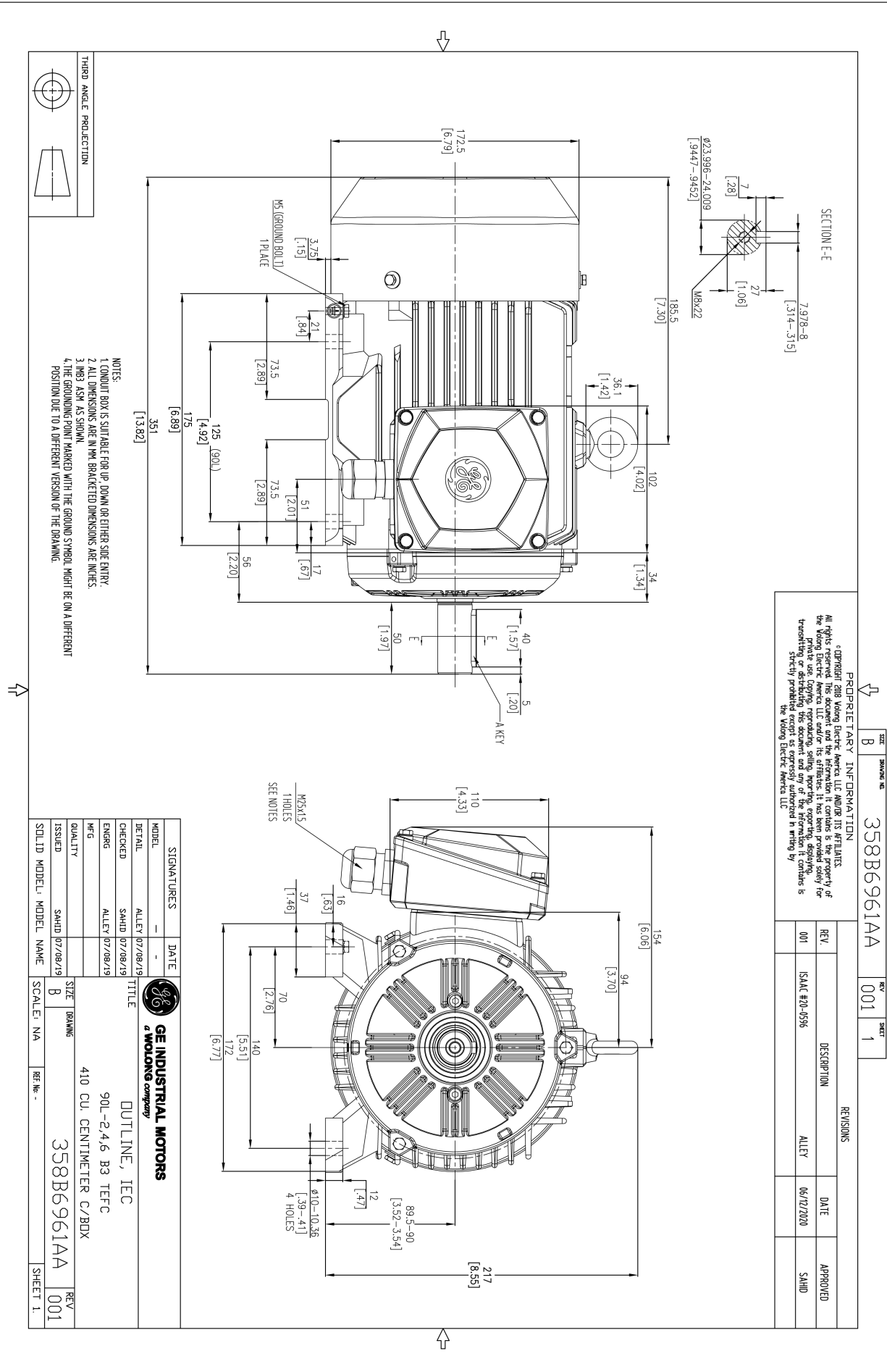
TORQUE(FL) N-m 6.1 TORQUE(LR)%FL 378.0 TORQUE(BD)%FL 410.0
 AMPS(LR 440V) 37.41 PF AT START 26.54%

Other Useful Information for Application:

Rotor Inertia (Kg-m ²) :	0.0016
Max load inertia (Kg-m ²):	0.147
Load Type:	Square Torque/Speed Characteristic
Voltage:	100%
Number of starts per hour:	2 Cold or 1 Hot
Acceleration Time with maximum inertia (sec):	1.95
Safe stall time (sec): Cold/Hot	8.3/3.4



Marks:



PROPRIETARY INFORMATION

Copyright 2008 Wolog Electric America, LLC and/or its affiliates. It is the property of Wolog Electric America, LLC and/or its affiliates. It has been provided solely for private use. Copying, reproducing, selling, importing, exporting, displaying, transmitting or otherwise using this document and any of the information it contains is strictly prohibited by Wolog Electric America, LLC.

SIZE	B	SCALE	1:1	SHEET	1
358B6961AA					
REV	001	DESCRIPTION	ALLEY	DATE	APPROVED
001	ISAC #20-0596	ALLEY	06/12/2020	SAMD	

SIGNATURES	DATE	TITLE
ALLEY 07/08/19		410 CU. CENTIMETER C/BOX
SAMD 07/08/19		
ALLEY 07/08/19		
SAMD 07/08/19		
ISSUED	SAMD 07/08/19	SIZE: DRAWING
SOLID MODEL	MODEL NAME	SCALE: N/A
REV	001	SHEET 1

GE INDUSTRIAL MOTORS
a Wolog company

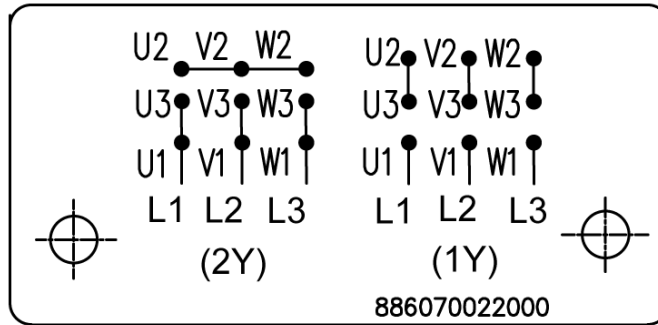
OUTLINE, IEC
90L-2,4,6 B3 TFC
410 CU. CENTIMETER C/BOX

358B6961AA

Marks:

Connection Diagram

886070022000



PTC Diagram

886070014000

