



**GE INDUSTRIAL MOTORS**  
a **WOLONG** company

# Product Information Packet

September 23, 2022

Data shown is for the current revision model #. Ensure your nameplate model # matches.

<b>Model Number:</b>	<b>5KFS903ZWL2033</b>
<b>Catalog Number:</b>	<b>WI201</b>
<b>Instruction Manual:</b>	GEI-M1052-SP
<b>Connection Diagram:</b>	886070022000
<b>Outline Drawing:</b>	358B6961AA

## Accessory Connection Diagrams

<b>Bearing Thermocouple:</b>	None	<b>Heater:</b>	None
<b>RTD:</b>	None	<b>Thermistor:</b>	886070014000
<b>Thermostat:</b>	None	<b>Winding Thermocouple:</b>	None
<b>Bearing RTD:</b>	None		

## Table of Contents

Specification	01
Performance Characteristics	02
Outline Drawing	03
Connection Drawing(s)	04

Marks:

<b>MODEL NUMBER:</b>	<b>5KFS903ZWL2033</b>	<b>Estimated Weight(kg):</b>	26
<b>Outline Drawing:</b>	358B6961AA	<b>Duty:</b>	S1
<b>Connection Diagram:</b>	886070022000	<b>Enclosure:</b>	TEFC
<b>Connection:</b>	2WYE / WYE	<b>Encl Construction:</b>	Energy Saver
<b>Instruction Book:</b>	GEI-M1052-SP	<b>Cooling (IC):</b>	411
<b>Design Code:</b>	NA	<b>Protection (IP):</b>	55
<b>Type:</b>	KFS	<b>Ambient Max (°C):</b>	40
<b>Frame:</b>	90L	<b>Alt Ambient Max(°C):</b>	--
<b>Mounting (IM):</b>	B3	<b>Ambient Min(°C):</b>	-15
<b>Phases:</b>	3	<b>Insulation Class:</b>	F
<b>Poles:</b>	4	<b>IEC Design:</b>	N
<b>Output Power :</b>	2HP/1.5kW	<b>Nominal Efficiency (%):</b>	IE3-86.5
<b>RPM:</b>	1710	<b>Guaranteed Efficiency (%):</b>	84.5
<b>Voltage(V):</b>	220/440	<b>Power Factor (%):</b>	77.0
<b>Hertz:</b>	60	<b>Bearing - DE:</b>	6205/2Z C3
<b>Amps - FL:</b>	5.92/2.96	<b>Bearing - ODE:</b>	6203/2Z C3
<b>Service Factor:</b>	1.15	<b>Vibration (mm/s) rms:</b>	2.8
<b>Alt Service Factor:</b>	--		

Enclosure is Totally Enclosed Fan-Cooled

---

Stamped Nameplate Notes:Additional Information:

SUITABLE FOR DOL STARTING  
 ROTATION: CW VIEWED FROM DE  
 INVERTER DUTY PER IEC TS 60034-25, SECTION 18  
 INVERTER RATED PWM 20:1 VARIABLE TORQUE, 1.0 SF



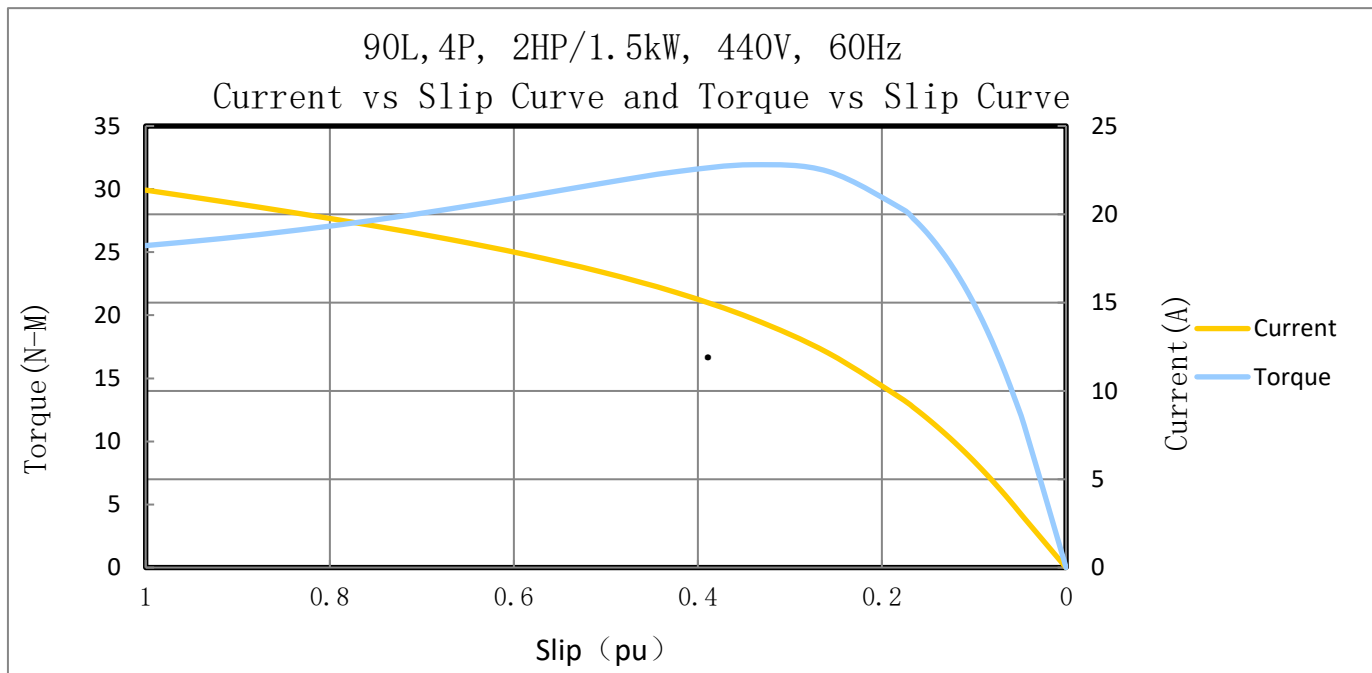
**Performance Characteristic:**

LOAD %	125.0	115.0	100.0	75.0	50.0	25.0	0.0
% EFF	85.79	86.29	86.89	87.32	86.47	81.22	0
% PF	86.05	84.90	82.56	75.89	63.52	40.84	19.45
AMPS	3.33	3.09	2.74	2.23	1.79	1.48	1.16

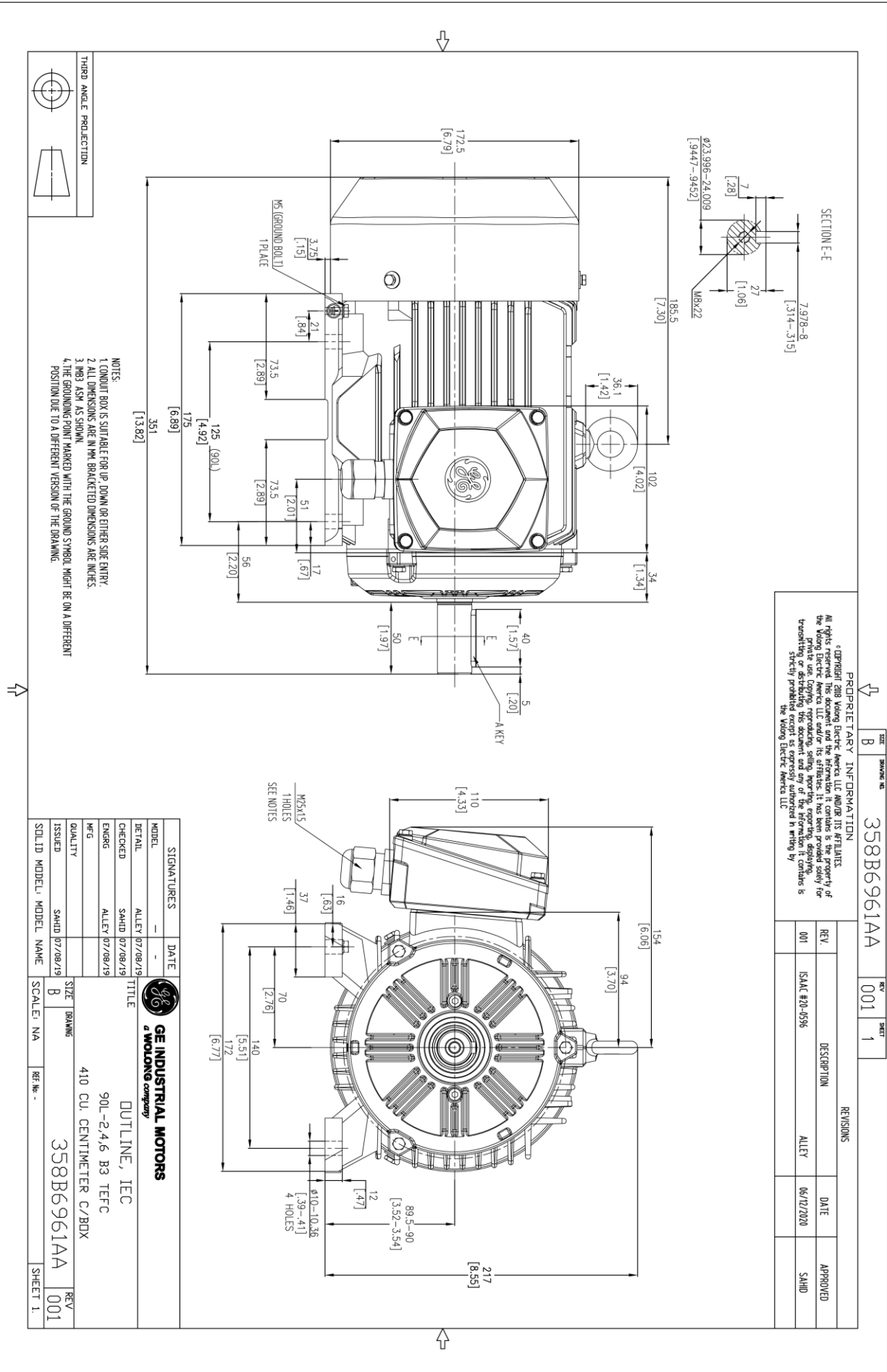
TORQUE(FL) N-m                    8.4    TORQUE(LR)%FL            303.5    TORQUE(BD)%FL            363.1  
 AMPS(LR 440V)                    21.37    PF AT START                    19.45%

**Other Useful Information for Application:**

Rotor Inertia (Kg-m <sup>2</sup> ) :	0.0043
Max load inertia (Kg-m <sup>2</sup> ):	0.464
Load Type:	Square Torque/Speed Characteristic
Voltage:	100%
Number of starts per hour:	2 Cold or 1 Hot
Acceleration Time with maximum inertia (sec):	2.53
Safe stall time (sec): Cold/Hot	28.2/11.5



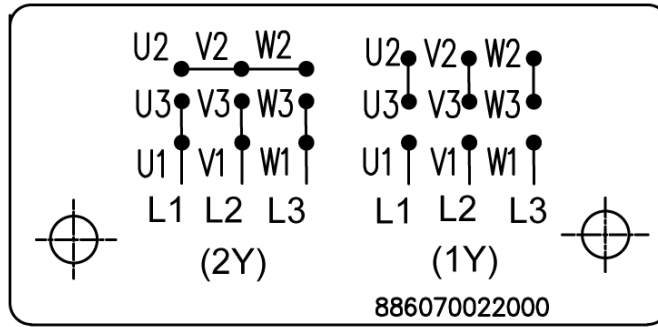
Marks:



Marks:

**Connection Diagram**

886070022000



**PTC Diagram**

886070014000

